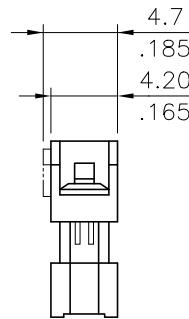
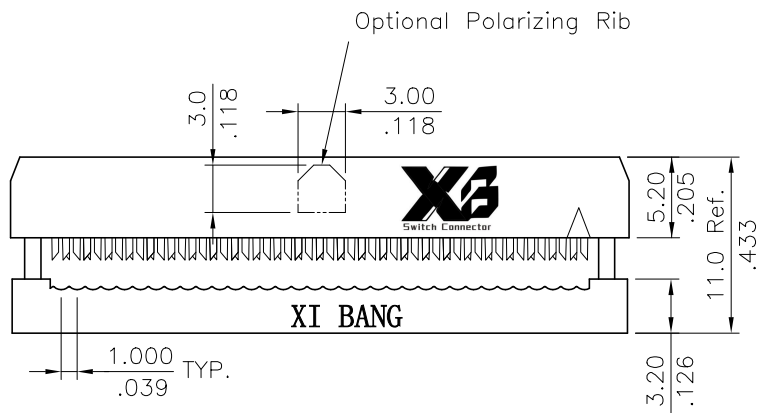
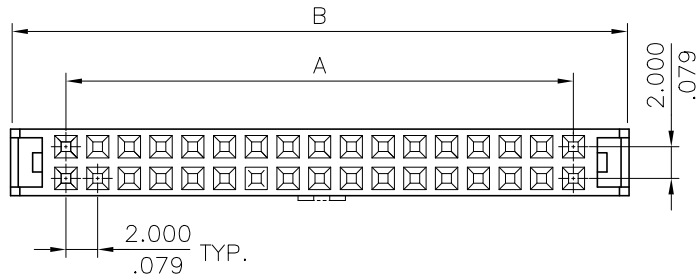


Material:

* Insulation: Glass filled polyester UL 94V-0

* Contact: Phosphor Bronze



Circuits	Dimension		Circuits	Dimension	
	A	B		A	B
6	4.00(.157)	11.2(.441)	30	28.00(1.102)	35.2(1.386)
8	6.00(.236)	13.2(.520)	32	30.00(1.181)	37.2(1.465)
10	8.00(.315)	15.2(.598)	34	32.00(1.260)	39.2(1.543)
12	10.00(.394)	17.2(.677)	36	34.00(1.339)	41.2(1.622)
14	12.00(.472)	19.2(.756)	40	38.00(1.496)	45.2(1.780)
16	14.00(.551)	21.2(.835)	44	42.00(1.654)	49.2(1.937)
20	18.00(.709)	25.2(.992)	50	48.00(1.890)	55.2(2.173)
22	20.00(.787)	27.2(1.071)	60	58.00(2.283)	65.2(2.567)
24	22.00(.866)	29.2(1.150)	64	62.00(2.441)	69.2(2.724)
26	24.00(.945)	31.2(1.228)			

Ordering Code:

CA11 ** S A 1 00
 ① ② ③ ④ ⑤ ⑥

① Series No.

② No. of Circuits :

③ S= Receptacle

④ Plating option :

A= Selective Gold flash plated over
 1.27μm(50μ") Nickel

B= Selective 0.38μm(15μ") Gold Plated over
 1.27μm(50μ") Nickel

C= Selective 0.76μm(30μ") Gold plated over
 1.27μm(50μ") Nickel

⑤ Color : 1= Black

⑥ Option : 00= With Polarizing Rib(Standard)

A0= Without Polarizing Rib

RoHS Compliant

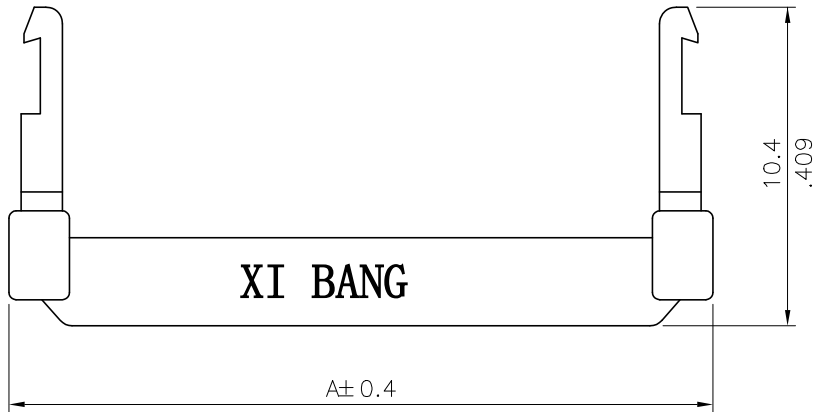
4				DATE	UNIT: mm / inch	TITLE:	东莞市溪榜电子有限公司 DONG GUAN XI BANG ELECTRONI CS CO., LTD.			
3	Enya	9/4-12'	ECN12218-0 / ECR12063-0	DRAWN BY: Enya	9/04-12'	2.00MM(.079") IDC SOCKET				
2	Enya	8/8-12'	ECN12187-0 / ECR12053-0	ENGINEER: Eisley	9/03-12'	MATERIAL:	DRAWING NO. CA1101SH	PART NO.	CA11**SA100	
1	JIM	9/19 06'	ECN06328	CHECKED BY: Eisley	9/03-12'	FINISH:	SCALE	2 / 1	SHEET	1 OF 1
SYM	NAME	DATE	REVISIONS	APPROVED BY: David	9/03-12'					
						TOLERANCE UNLESS OTHERWISE SPECIFIED				
						.X ± 0.30/.012 X' ± r				
						.XX ± 0.20/.008 .X' ±				
						.XXX ± 0.10/.004 .XX' ±				

Material: Glass filled polyester UL 94V-0

Ordering Code:

CA11 ** SR 100
 ① ② ③ ④

- ① Series No.
- ② No. of Circuits
- ③ SR= Strain-Relief
- ④ Color: 100= Black



① ②

Circuits	Dimension	Circuits	Dimension
	A		A
6	11.2(.441)	30	35.2(1.386)
8	13.2(.520)	32	37.2(1.465)
10	15.2(.598)	34	39.2(1.543)
12	17.2(.677)	36	41.2(1.622)
14	19.2(.756)	40	45.2(1.780)
16	21.2(.835)	44	49.2(1.937)
20	25.2(.992)	50	55.2(2.173)
22	27.2(1.071)	60	65.2(2.567)
24	29.2(1.150)	64	69.2(2.724)
26	31.2(1.228)		

RoHS Compliant

④					DATE	UNIT: mm / inch	TITLE:	东莞市溪榜电子有限公司 DONG GUAN XI BANG ELECTRONI CS CO., LTD.
③				DRAWN BY:	Enya	9/04-12'	2.00MM(.79") STRAIN RELIEF	
②	Enya	9/4-12'	ECN12218-0 / ECR12063-0	ENGINEER:	Eisley	9/03-12'	MATERIAL:	DRAWING NO. CA1102SD PART NO. CA11**SR100
①	Enya	8/8-12'	ECN12187-0 / ECR12053-0	CHECKED BY:	Eisley	9/03-12'		
SYM	NAME	DATE	REVISIONS	APPROVED BY:	David	9/03-12'		SCALE 3 / 1 SHEET 1 OF 1