

1 2 3 4 5 6 7 8 9

F

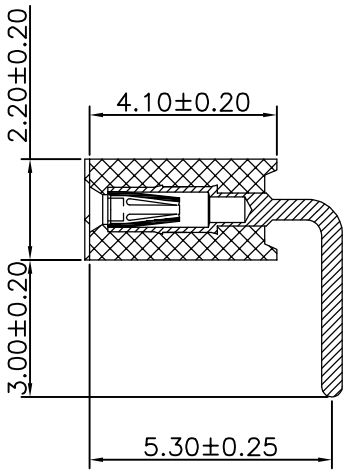
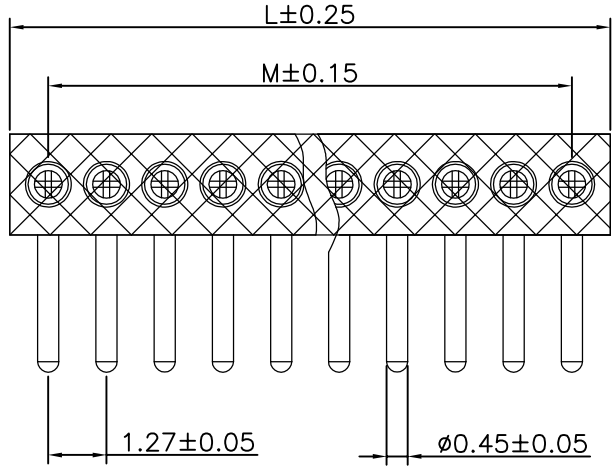
E

D

C

B

A



| No. of PIN/ROW | M | L |
|----------------|-------|-------|
| 01 | 0 | 1.68 |
| 02 | 1.27 | 2.95 |
| 03 | 2.54 | 4.22 |
| 04 | 3.81 | 5.49 |
| 05 | 5.08 | 6.76 |
| 06 | 6.35 | 8.03 |
| 07 | 7.62 | 9.30 |
| 08 | 8.89 | 10.57 |
| 09 | 10.16 | 11.84 |
| 10 | 11.43 | 13.11 |
| 11 | 12.70 | 14.38 |
| 12 | 13.97 | 15.65 |
| 13 | 15.24 | 16.92 |
| 14 | 16.51 | 18.19 |
| 15 | 17.78 | 19.46 |
| 16 | 19.05 | 20.73 |
| 17 | 20.32 | 22.00 |
| 18 | 21.59 | 23.27 |
| 19 | 22.86 | 24.54 |
| 20 | 24.13 | 25.81 |
| 21 | 25.40 | 27.08 |
| 22 | 26.67 | 28.35 |
| 23 | 27.94 | 29.62 |
| 24 | 29.21 | 30.89 |
| 25 | 30.48 | 32.16 |
| 26 | 31.75 | 33.43 |
| 27 | 33.02 | 34.70 |
| 28 | 34.29 | 35.97 |
| 29 | 35.56 | 37.24 |
| 30 | 36.83 | 38.51 |
| 31 | 38.10 | 39.78 |
| 32 | 39.37 | 41.05 |
| 33 | 40.64 | 42.32 |
| 34 | 41.91 | 43.59 |
| 35 | 43.18 | 44.86 |
| 36 | 44.45 | 46.13 |
| 37 | 45.72 | 47.40 |
| 38 | 46.99 | 48.67 |
| 39 | 48.26 | 49.94 |
| 40 | 49.53 | 51.21 |
| 41 | 50.80 | 52.48 |
| 42 | 52.07 | 53.75 |
| 43 | 53.34 | 55.02 |
| 44 | 54.61 | 56.29 |
| 45 | 55.88 | 57.56 |
| 46 | 57.15 | 58.83 |
| 47 | 58.42 | 60.10 |
| 48 | 59.69 | 61.37 |
| 49 | 60.96 | 62.64 |
| 50 | 62.23 | 63.91 |

Specifications
 Rated current: 1 A
 Contact resistance: max 20m Ω
 Dielectric strength: min 500 V RMS
 Mating pins: Outside Diameter 0.31 to 0.48 mm
 Forces: (polished steel gauge 0.38 mm)
 Insertion: 80g max(单PIN)
 Withdrawal: 15g max(单PIN)
 Materials
 Contact Material: Brass
 Insulation Material: High Temperature Thermoplastic UL94V-0 PPS
 All materials must meet XI BANG hazardous substances control standards.

Ordering Information

XB-PM-Y-127M - XX XX A 002 S X B X

No. of Pins per Row 01~50
 Standard Plating 01=Tin 05=Gold Flash/Tin
 Color 1=Black
 Standard Packing C=Tube N=PE bag

| | | | | | | | |
|--|----------------------------|---|----------|------------|----------|--|---|
| 东莞市溪榜电子有限公司 DONG GUAN XI BANG ELECTRONICS CO., LTD. | 3RD.ANG PROJ. PAGE. 1/1 | GENERAL TOLERANCE X.*±3.0° X.±/ .X*±/ .X±0.30 .XX*±/ .XX±0.25 .XXX*±/ .XXX±0.20 | | DESIGNED: | DATE: | DWG. NO. XB-PM-Y-127M-W101-A002 PART NO. | TITLE. 1.27mm SIP Socket Right Angle Type |
| | | REV. A | UNIT. mm | SCALE. 1:1 | CHECKED: | | |

1 2 3 4 5 6 7 8 9

AV

F

E

D

C

B

A