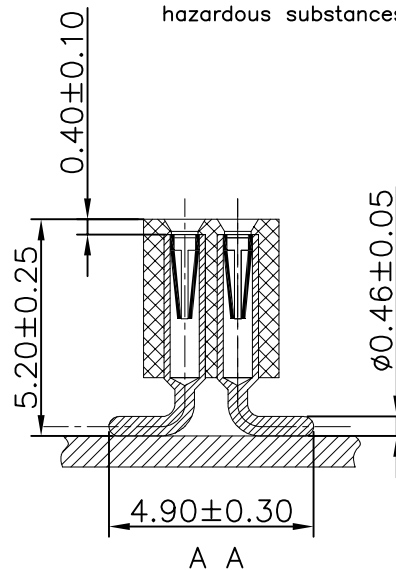
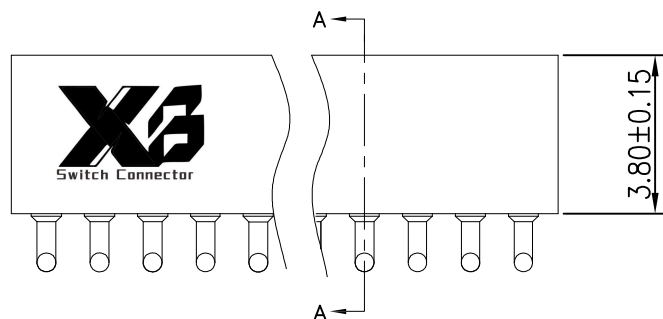


Specifications
 Current Rating:1A
 Contact Resistance:10mΩMax.
 Dielectric Withstanding Voltage:300V RMS
 Mating pins: Outside Diameter 0.38 to 0.50 mm
 Forces: (polished steel gauge 0.41 mm)
 Insertion:0.5 N typ.
 Withdrawal:0.2N typ.
 Coplanarity SMD terminations: max 0.1 mm
 (measured on 25 mm long connectors)
 Materials
 Contact Material:Brass
 Contact clip(6 finger):Berylliumcopper (C17200)
 Insulator Material: UL 94V-0 PPS
 All materials must meet XI BANG
 hazardous substances control standards.

No. of PIN/ROW	M	L
01	0	1.68
02	1.27	2.95
03	2.54	4.22
04	3.81	5.49
05	5.08	6.76
06	6.35	8.03
07	7.62	9.30
08	8.89	10.57
09	10.16	11.84
10	11.43	13.11
11	12.70	14.38
12	13.97	15.65
13	15.24	16.92
14	16.51	18.19
15	17.78	19.46
16	19.05	20.73
17	20.32	22.00
18	21.59	23.27
19	22.86	24.54
20	24.13	25.81
21	25.40	27.08
22	26.67	28.35
23	27.94	29.62
24	29.21	30.89
25	30.48	32.16
26	31.75	33.43
27	33.02	34.70
28	34.29	35.97
29	35.56	37.24
30	36.83	38.51
31	38.10	39.78
32	39.37	41.05
33	40.64	42.32
34	41.91	43.59
35	43.18	44.86
36	44.45	46.13
37	45.72	47.40
38	46.99	48.67
39	48.26	49.94
40	49.53	51.21
41	50.80	52.48
42	52.07	53.75
43	53.34	55.02
44	54.61	56.29
45	55.88	57.56
46	57.15	58.83
47	58.42	60.10
48	59.69	61.37
49	60.96	62.64
50	62.23	63.91



Ordering Information

XB-PM-Y-127M - XX XX A 001 S X B X

No. Of Pins Per Row 01~50
 Standard Plating 01=Tin
 05=Gold Flash/Tin
 64=Gold 3u"/Tin
 Color 1=Black
 Standard Packing D=T&R

东莞市溪榜电子有限公司 DONG GUAN XI BANG ELECTRONICS CO., LTD	3RD.ANG PROJ. 	GENERAL TOLERANCE		DESIGNED:	DATE:	DWG. NO.	TITLE.
		X.±5.0'	X.±0.38				
REV. A	UNIT. mm	SCALE. 1:1	PAGE. 1/1	APPROVED:	DATE:	PART NO.	