

F

E

D

C

B

A

F

E

D

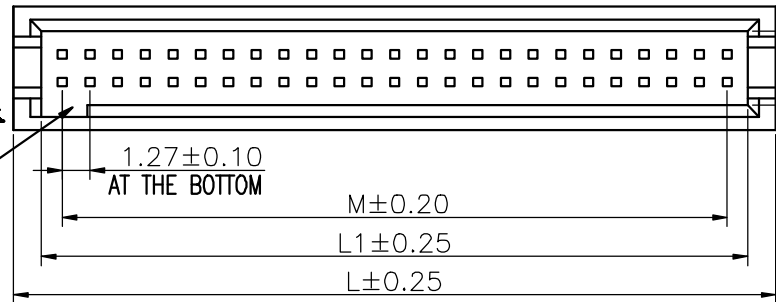
C

B

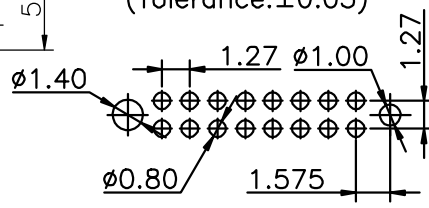
A

1 2 3 4 5 6 7 8 9

防呆孔與大等柱同造



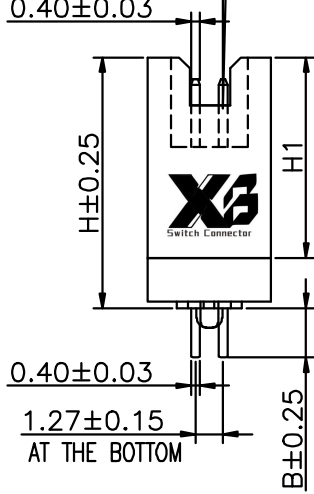
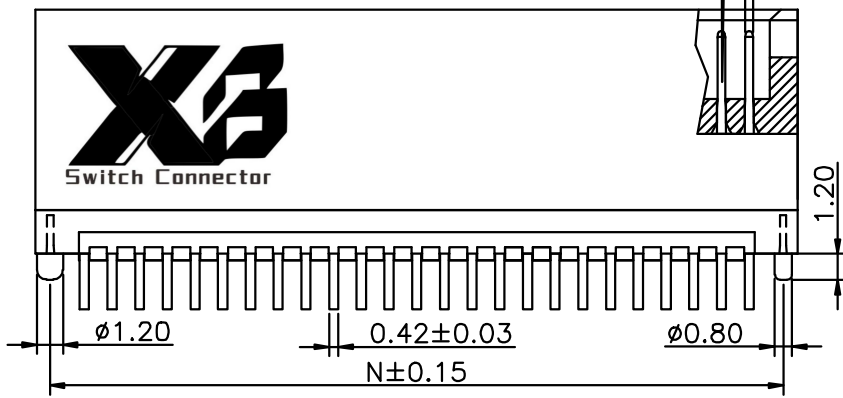
Recommended P.C.Board Layout (Tolerance:±0.05)



Specifications
 Current Rating:1Amp
 Insulation Resistance:1000MΩMin.
 Dielectric Withstanding:300VAC
 Contact Resistance:20mΩMax.
 Operating Temperature:-40°C to +105°C
Materials
 Contact Material: Phosphor Bronze
 Insulator Material: High Temperature Thermoplastic, UL 94V-0 LCP or the equivalent material
 All materials must meet XI BANG requirement for environment protection.

2"MAX SWAY (EITHER DIRECTION) AT THE TOP

2"MAX TOE (EITHER DIRECTION) AT THE TOP



No. of PIN/ROW	Dimension Information			
	M	L1	L	N
05	5.08	6.95	9.55	8.23
06	6.35	8.22	10.82	9.50
07	7.62	9.49	12.09	10.77
08	8.89	10.76	13.36	12.04
09	10.16	12.03	14.63	13.31
10	11.43	13.30	15.90	14.58
11	12.70	14.57	17.17	15.85
12	13.97	15.84	18.44	17.12
13	15.24	17.11	19.71	18.39
14	16.51	18.38	20.98	19.66
15	17.78	19.65	22.25	20.93
16	19.05	20.92	23.52	22.20
17	20.32	22.19	24.79	23.47
18	21.59	23.46	26.06	24.74
19	22.86	24.73	27.33	26.01
20	24.13	26.00	28.60	27.28
21	25.40	27.27	29.87	28.55
22	26.67	28.54	31.14	29.82
23	27.94	29.81	32.41	31.09
24	29.21	31.08	33.68	32.36
25	30.48	32.36	34.95	33.63
26	31.75	33.62	36.22	34.90
27	33.02	34.89	37.49	36.17
28	34.29	36.16	38.76	37.44
29	35.56	37.43	40.03	38.71
30	36.83	38.70	41.30	39.98
31	38.10	39.97	42.57	41.25
32	39.37	41.24	43.84	42.52
33	40.64	42.51	45.11	43.79
34	41.91	43.78	46.38	45.06
35	43.18	45.05	47.65	46.33
36	44.45	46.32	48.92	47.60
37	45.72	47.59	50.19	48.87
38	46.99	48.86	51.46	50.14
39	48.26	50.13	52.73	51.41
40	49.53	51.40	54.00	52.68

Ordering Information

XB-JN-127-268 XX - XX XX B XXX C 1 T X

Plastic specifications
 1=Single row
 2=Dual row
 3=Tripe row
 4=Quadruple

Water code
 43:H=11.50
 44:H=9.30
 45:H=11.00
 46:H=15.90
 47:H=15.50
 48:H=14.40
 50:H=12.50
 51:H=9.90
 53:H=10.60
 54:H=11.80
 55:H=11.30

58:H=14.50
 59:H=19.20
 62:H=10.70
 64:H=10.50
 65:H=17.60
 66:H=13.80
 68:H=18.90

Positioning column information
 A=No locating post
 B=Round post
 C=Square post

Pin length
 See the drawing

Insulator Material
 A=PBT
 R=Nylon(Halogen Free)
 C=LCP

Color
 1=Black
 2=White
 3=Yellow
 E=Beige

Contact Material
 A/S/K/T=Phosphor Bronze
 B/Z/H/W=Brass

Packing code
 A=Box
 B=Tray
 C=Tube
 D=Tape&Reel
 E=Cap+Tube
 F=Cap+Tape&Reel
 G=Acetate Tape+Tube
 H=Acetate Tape+Tape&Reel

No. of Pins per Row
 05~40

东莞市溪榜电子有限公司 DONG GUAN XI BANG ELECTRONICS CO., LTD					GENERAL TOLERANCE X.*±5.0° X.±0.30 .X.*±3.0° .X±0.25 .XX.*±2.0° .XX±0.15 .XXX.*±1.0° .XXX±0.10		DESIGNED:	DATE:	DWG. NO. XB-JN-127-268		TITLE. 1.27 BOX HEADER DUAL ROWS DIP TYPE CONNECTOR
REV.	UNIT.	SCALE.	PAGE.		CO. SIGNED:	DATE:	PART NO.				
01	mm	3:1	1/1		APPROVED:	DATE:					

1 2 3 4 5 6 7 8 9