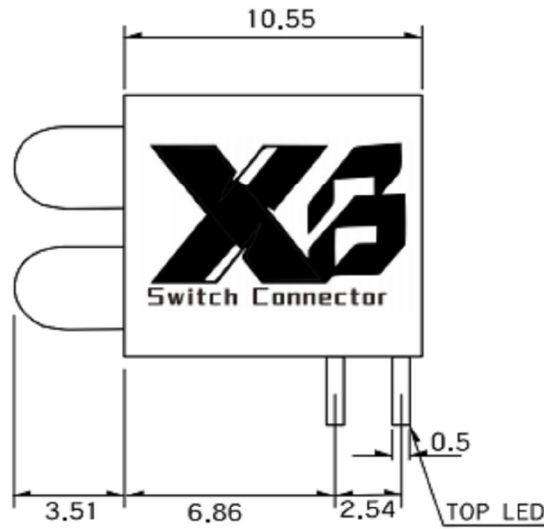
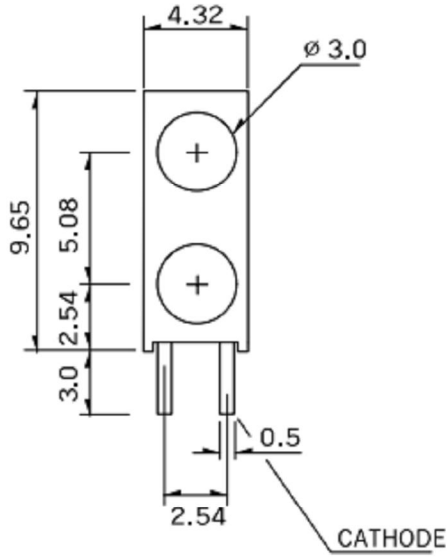
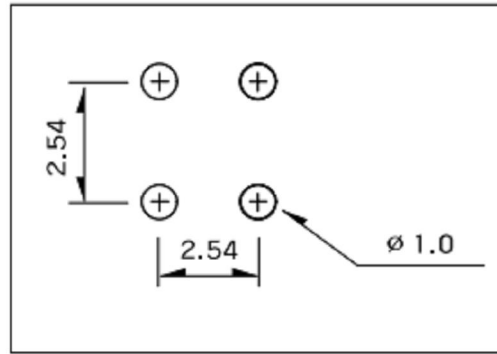


ROHS



P.C.B DIMENSION



* Reverse Cathode Left : SED-01 X X G

Housing Color : Gray

SED - 0 1 X X

LED TYPE
SEE PAGE #64
Top Position Color
Bottom Position Color

Number	0	1 (Bi-Color)	2	3	4 (Bi-Color)	8	9
Color	Blank	Red (Red/Green)	Green	Yellow	Amber (Yellow/Green)	Blue	White

Package	LED TYPE	Part No.	Chip		Lens Appearance	Absolute Maximum Ratings		Electro-optical Data(At 20mA)		Viewing Angle 2θ 1/2 (99)				
			Emitted Color	Peak Wav Length (nm)		ΔI (mV)	Pd (mW)	If Peak (mA)	Vf Typ. (V)		Iv Typ. (mcd)			
High Efficiency	01	BL-B2141K	Green	568	Green Diffused	30	100	30	150	2.2	2.6	30.0	50	
		BL-B3141K	Yellow	585	Yellow Diffused	35	100	30	150	2.1	2.6	20.0	50	
		BL-B4114K	Amber	610	Amber Diffused	35	100	30	150	2.0	2.6	60.0	50	
		BL-D5141K	Bright Red	700	Red Diffused	90	50	15	50	2.2	2.6	10.0	50	
	02	BL-B5141K-L	Super Blue	470	Blue Diffused	30	100	30	100	3.5	4.0	550	45	
		BL-B5141K-L	Hi-Eff Red	635	Red Diffused	45	15	7	-	1.7	2.2	4.5	50	
		BL-B2141K-L	Green	568	Green Diffused	30	16	7	-	1.0	2.3	7.0	50	
		BL-B3141K-L	Yellow	585	Yellow Diffused	35	15	7	-	1.8	2.2	3.5	50	
	Integral Resistor 5V	03	BR-B4514K-05V	Hi-Eff Red	635	Red Diffused	-	-	8	-	5	-	15.5	-
			BR-B2141K-05V	Green	568	Green Diffused	-	-	8	-	5	-	15.5	-
			BR-B3141K-05V	Yellow	585	Yellow Diffused	-	-	8	-	5	-	14.0	-
			BR-B4141K-05V	Orange	635	Orange Diffused	-	-	8	-	5	-	15.5	-
Bi-color	07	BL-BEX271E	Hi-Eff Red	635	White Diffused	45	100	30	150	2.0	2.6	25.0	45	
		BL-BYX271E	Green	568	White Diffused	30	100	30	150	2.2	2.6	30.0	45	
		BL-BYX271E	Green	568	White Diffused	30	100	30	150	2.2	2.6	30.0	45	
1.0" Lead Flangeless	01	BL-B5133N	Bright Red	700	Red Diffused	90	50	15	50	2.2	2.6	50.0	40	
		BL-B2133N	Green	568	Green Diffused	30	100	30	150	2.2	2.6	65.0	40	
		BL-B3133N	Yellow	585	Yellow Diffused	35	100	30	150	2.1	2.6	50.0	40	
		BL-B5134N	Bright Red	700	Red Diffused	90	50	15	50	2.2	2.6	13.0	45	
	01	BL-B2134N	Green	568	Green Diffused	30	100	30	150	2.2	2.6	90.0	45	
		BL-B3134N	Yellow	585	Yellow Diffused	35	100	30	150	2.1	2.6	70.0	45	
		BL-B4141RAN	Super Blue	470	Blue Diffused	30	100	30	100	3.5	4.0	550	45	
		BL-BEG274N	Hi-Eff Red	635	White Diffused	45	100	30	150	2.0	2.6	45.0	45	
	07	BL-BYG274N	Green	568	White Diffused	30	100	30	150	2.2	2.6	50.0	45	
		BL-BYG274N	Yellow	585	White Diffused	35	100	30	150	2.1	2.6	35.0	45	
		BL-BYG274N	Green	568	White Diffused	30	100	30	150	2.2	2.6	50.0	45	
		BL-BYG274N	Green	568	White Diffused	30	100	30	150	2.2	2.6	50.0	45	
T-1 3/4 1.0" Lead Standard 5θ	01	BL-BEG204	Hi-Eff Red	635	White Diffused	45	100	30	150	2.0	2.6	35.0	40	
		BL-BEG204	Green	568	White Diffused	30	100	30	150	2.2	2.6	45.0	40	
		BL-BYG204	Yellow	585	White Diffused	35	100	30	150	2.1	2.6	30.0	40	
		BL-BYG204	Green	568	White Diffused	30	100	30	150	2.2	2.6	45.0	40	
2.0x5.0x7.0 1.0" Lead Rectangular	01	BL-BW7302B-R	Hi-Eff Red	635	Water Clear	45	100	30	150	2.0	2.6	4.0	80	
		BL-BW7302B-R	Green	568	Water Clear	30	100	30	150	2.2	2.6	4.5	80	

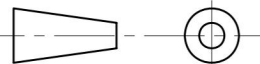
Measuring items	Symbol	Measuring conditions	Judgment criteria for failure
Forward voltage	V _f (V)	I _f =20mA	Over U'x1.2
Reverse current	I _r (uA)	V _r =5V	Over U'x2
Luminous intensity	I _v (mcd)	I _f =20mA	Below S'X0.5



东莞市溪榜电子有限公司
DONG GUAN XI BANG ELECTRONICS CO., LTD

TITLE : XB LED模块系列 XB LED MODULE Series

MODEL : XB-SED-01xx



TOLERANCE
<=1.5mm ±0.1
>1.5mm ±0.2
>=10mm ±0.3

ANGLE TOL
±2°

UNIT : MM	DWN.	ZENQ. CHEN	DATE	2024-4-8	
SCALE : 7 : 1	CHK'D	DONG. PANG	DATE	2024-4-8	
VERSION	01	APPD.	FEI. LONG. HE	DATE	2024-4-8

2	TERMINAL	PBS STRIP	3	Au PLATED
1	CASE	PBT	1	BLACK
NO.	PART NAME	MATERIAL	QTY	FINISHING