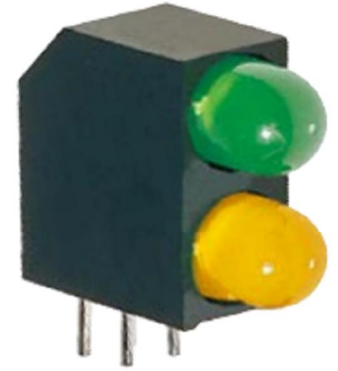
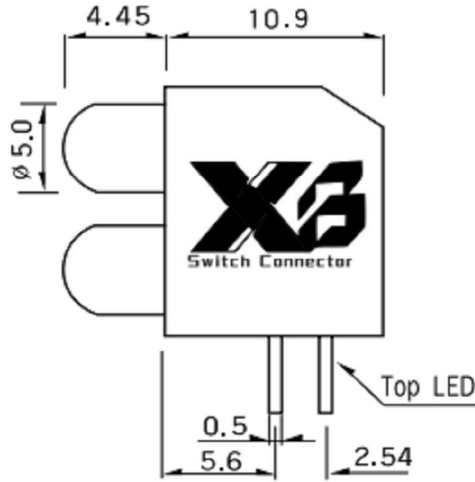
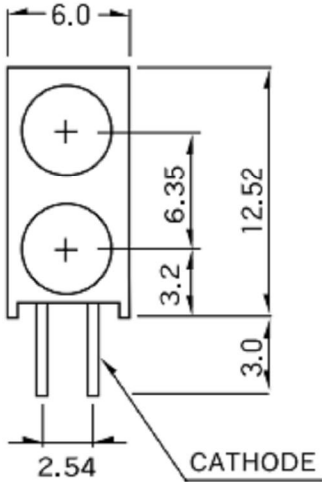
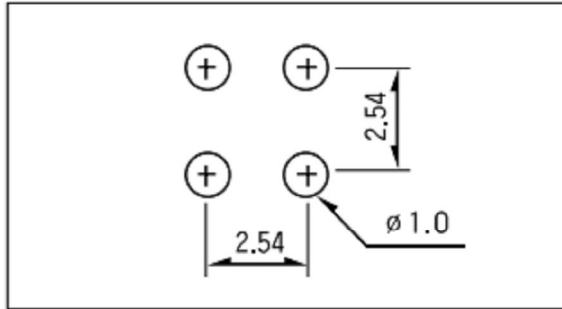


ROHS

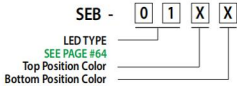


P.C.B DIMENSION



* Reverse Cathode Left : SEB-01 **X** **X** G

Housing Color : Gray



MODEL	0	1 (Bi-Color)	2	3	4 (Bi-Color)	8
LED Color	Blank	Red (Red/Green)	Green	Yellow	Amber (Yellow/Green)	Blue
LED Spec		BL-B5134N (BL-BEG274N)	BL-B2134N	BL-B3134N	BL-BA1134N (BL-BYG274N)	BL-BB41R4N

Package	LED TYPE	Part No.	Chip		Lens		Absolute Maximum Ratings		Electro-optical Data(At 20mA)		Viewing Angle 2θ (99)				
			Emitted Color	Peak Wav Length (nm)	Appearance	Δλ (nm)	Pd (mW)	If (mA)	Vf (V)	Iv Typ. (mcd)		Iv Max. (mcd)			
High Efficiency	01	BL-B2141K	Green	568	Green Diffused	30	100	30	150	2.2	2.6	30.0	50		
		BL-B3141K	Yellow	585	Yellow Diffused	35	100	30	150	2.1	2.6	20.0	50		
		BL-BA1141K	Amber	610	Amber Diffused	35	100	30	150	2.0	2.6	60.0	50		
		BL-DB141K	Bright Red	700	Red Diffused	90	50	15	50	2.2	2.6	10.0	50		
		BL-BB41Y1E	Super Blue	470	Blue Diffused	30	100	30	100	3.5	4.0	550	45		
	Low Current	02	BL-B5141K-L	Green	568	Green Diffused	30	16	7	-	1.7	2.2	4.5	50	
			BL-B3141K-L	Yellow	585	Yellow Diffused	35	15	7	-	1.8	2.2	3.5	50	
		03	BR-B451K-05V	Hi-Eff Red	635	Red Diffused	-	-	8	-	8	-	5	-	15.5
			BR-B2141K-05V	Green	568	Green Diffused	-	-	8	-	8	-	5	-	15.5
			BR-B3141K-05V	Yellow	585	Yellow Diffused	-	-	8	-	8	-	5	-	14.0
Bi-color	07	BL-BEX271E	Hi-Eff Red	635	White Diffused	45	100	30	150	2.0	2.6	25.0	45		
		BL-BYX271E	Green	568	White Diffused	30	100	30	150	2.2	2.6	30.0	45		
1.0" Lead Flangeless	01	BL-B5133N	Bright Red	700	Red Diffused	90	50	15	50	2.2	2.6	50.0	40		
		BL-B2133N	Green	568	Green Diffused	30	100	30	150	2.2	2.6	65.0	40		
	01	BL-B3134N	Bright Red	700	Red Diffused	90	50	15	50	2.2	2.6	13.0	45		
		BL-B2134N	Green	568	Green Diffused	30	100	30	150	2.2	2.6	90.0	45		
	07	BL-B3134N	Yellow	585	Yellow Diffused	35	100	30	150	2.1	2.6	70.0	45		
		BL-BB41R4N	Super Blue	470	Blue Diffused	30	100	30	100	3.5	4.0	550	45		
		BL-BEG274N	Hi-Eff Red	635	White Diffused	45	100	30	150	2.0	2.6	45.0	45		
		BL-BYG274N	Yellow	585	White Diffused	35	100	30	150	2.1	2.6	35.0	45		
		BL-BYG274N	Green	568	White Diffused	30	100	30	150	2.2	2.6	50.0	45		
		BL-BYG274N	Green	568	White Diffused	30	100	30	150	2.2	2.6	50.0	45		
T-1 3/4 1.0" Lead Standard 5Ø	07	BL-BEG204	Hi-Eff Red	635	White Diffused	45	100	30	150	2.0	2.6	35.0	40		
		BL-BYG204	Yellow	585	White Diffused	35	100	30	150	2.1	2.6	30.0	40		
		BL-BYG204	Green	568	White Diffused	30	100	30	150	2.2	2.6	45.0	40		
2.0x5.0x7.0 1.0" Lead Rectangular		BL-PW7302B-R	Hi-Eff Red	635	Water Clear	45	100	30	150	2.0	2.6	4.0	80		
			Green	568		30	100	30	150	2.2	2.6	4.5	80		

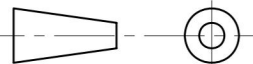
Measuring items	Symbol	Measuring conditions	Judgment criteria for failure
Forward voltage	V _f (V)	I _f =20mA	Over U'x1.2
Reverse current	I _r (uA)	V _r =5V	Over U'x2
Luminous intensity	I _v (mcd)	I _f =20mA	Below S'X0.5



东莞市溪榜电子有限公司
DONG GUAN XI BANG ELECTRONICS CO., LTD

TITLE : XB LED模块系列 XB LED MODULE Series

MODEL : XB-SEB-01xx



TOLERANCE
<=1.5mm ±0.1
>1.5mm ±0.2
>=10mm ±0.3

ANGLE TOL
±2°

UNIT	MM	DWN.	ZENQ. CHEN	DATE	2024-4-8
SCALE	7 : 1	CHK'D	DONG. PANG	DATE	2024-4-8
VERSION	01	APPD.	FEI. LONG. HE	DATE	2024-4-8

NO.	TERMINAL	PBS STRIP	3	Au PLATED
1	CASE	PBT	1	BLACK
NO.	PART NAME	MATERIAL	QTY	FINISHING