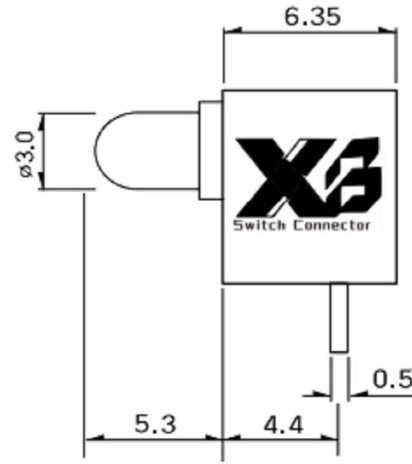
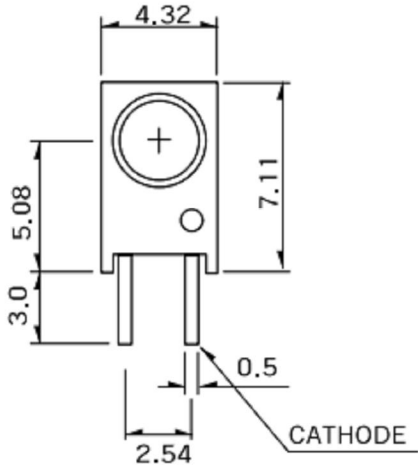
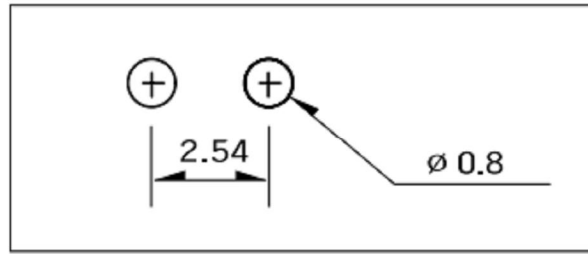


# ROHS



### P.C.B DIMENSION



\* Reverse Cathode Left : SEA-0X07NG  
Housing Color : Gray

Package	LED TYPE	Part No.	Chip		Lens Appearance	Absolute Maximum Ratings			Electro-optical Data(At 20mA)		Viewing Angle 2θ 1/2 (99)			
			Peak Wav Length (nm)	Emitted Color		ΔI (mA)	Pd (mW)	If (mA)	Vf (V)	Iv Typ. (mcd)		Iv Max. (mcd)		
High Efficiency	01	BL-B2141K	Green	568	Green Diffused	30	100	30	150	2.2	2.6	30.0	50	
		BL-B3141K	Yellow	585	Yellow Diffused	35	100	30	150	2.1	2.6	20.0	50	
		BL-BA1141K	Amber	610	Amber Diffused	35	100	30	150	2.0	2.6	60.0	50	
		BL-DD141K	Bright Red	700	Red Diffused	90	50	15	50	2.2	2.6	10.0	50	
	02	BL-B5141K-L	Super Blue	470	Blue Diffused	30	100	30	100	3.5	4.0	550	45	
		BL-B5141K-L	Hi-Eff Red	635	Red Diffused	45	15	7	-	1.7	2.2	4.5	50	
		BL-B2141K-L	Green	568	Green Diffused	30	16	7	-	1.0	2.3	7.0	50	
		BL-B3141K-L	Yellow	585	Yellow Diffused	35	15	7	-	1.8	2.2	3.5	50	
	Integral Resistor 5V	03	BR-B451K-05V	Hi-Eff Red	635	Red Diffused	-	-	8	-	5	-	15.5	-
			BR-B214K-05V	Green	568	Green Diffused	-	-	8	-	5	-	15.5	-
			BR-B314K-05V	Yellow	585	Yellow Diffused	-	-	8	-	5	-	14.0	-
			BR-B414K-05V	Orange	635	Orange Diffused	-	-	8	-	5	-	15.5	-
Bi-color	07	BL-BE271E	Hi-Eff Red	635	White Diffused	45	100	30	150	2.0	2.6	25.0	45	
		BL-BY271E	Green	568	White Diffused	30	100	30	150	2.2	2.6	30.0	45	
		BL-BY271E	Yellow	585	White Diffused	35	100	30	150	2.1	2.6	20.0	45	
1.0" Lead Flangeless 4.82	01	BL-B5133N	Bright Red	700	Red Diffused	90	50	15	50	2.2	2.6	50.0	40	
		BL-B2133N	Green	568	Green Diffused	30	100	30	150	2.2	2.6	30.0	45	
		BL-B3133N	Yellow	585	Yellow Diffused	35	100	30	150	2.1	2.6	50.0	40	
		BL-B5134N	Bright Red	700	Red Diffused	90	50	15	50	2.2	2.6	13.0	45	
	01	BL-B2134N	Green	568	Green Diffused	30	100	30	150	2.2	2.6	90.0	45	
		BL-B3134N	Yellow	585	Yellow Diffused	35	100	30	150	2.1	2.6	70.0	45	
		BL-BB414N	Super Blue	470	Blue Diffused	30	100	30	100	3.5	4.0	550	45	
		BL-BEG274N	Hi-Eff Red	635	White Diffused	45	100	30	150	2.0	2.6	45.0	45	
	07	BL-BY274N	Green	568	White Diffused	30	100	30	150	2.2	2.6	50.0	45	
		BL-BY274N	Yellow	585	White Diffused	35	100	30	150	2.1	2.6	35.0	45	
		BL-BY274N	Green	568	White Diffused	30	100	30	150	2.2	2.6	50.0	45	
		BL-BY274N	Green	568	White Diffused	30	100	30	150	2.2	2.6	50.0	45	
T-1 3/4 1.0" Lead Standard 5.0	BL-BEG204	Hi-Eff Red	635	White Diffused	45	100	30	150	2.0	2.6	35.0	40		
		Green	568	White Diffused	30	100	30	150	2.2	2.6	45.0	40		
		Yellow	585	White Diffused	35	100	30	150	2.1	2.6	30.0	40		
BL-BY204	Green	568	White Diffused	30	100	30	150	2.2	2.6	45.0	40			
	Green	568	White Diffused	30	100	30	150	2.2	2.6	45.0	40			
2.0x5.0x7.0 1.0" Lead Rectangular	BL-PW7302B-R	Hi-Eff Red	635	Water Clear	45	100	30	150	2.0	2.6	4.0	80		
		Green	568	Water Clear	30	100	30	150	2.2	2.6	4.5	80		

Measuring items	Symbol	Measuring conditions	Judgment criteria for failure
Forward voltage	V <sub>f</sub> (V)	I <sub>f</sub> =20mA	Over U'x1.2
Reverse current	I <sub>r</sub> (uA)	V <sub>r</sub> =5V	Over U'x2
Luminous intensity	I <sub>v</sub> (mcd)	I <sub>f</sub> =20mA	Below S'X0.5

Model	SEA-0207N	SEA-0307N	SEA-0407N	SEA-2507N	SEA-0807N	SEA-0207CN	SEA-0307CN	SEA-0407CN	SEA-3007BN
LED COLOR	Green	Yellow	Red	Amber	Blue Water Clear	Green Color Clear	Yellow Color Clear	Red Color Clear	Red / Green
LED SPEC	BL-B2141	BL-B3141	BL-B5141	BL-BA1131	BL-BB33V1	BL-B2441	BL-B3441	BL-B5441	BL-BEG271

	<h2>东莞市溪榜电子有限公司</h2> <h3>DONG GUAN XI BANG ELECTRONICS CO., LTD</h3>										
	TITLE : XB LED模块系列 XB LED MODULE Series MODEL : XB-SEA-0x07N										
UNIT : MM	DWN.	ZENQ. CHEN	DATE	2024-4-8	TOLERANCE <=1.5mm ±0.1 >1.5mm ±0.2 >=10mm ±0.3	ANGLE TOL ±2°	2	TERMINAL	PBS STRIP	3	Au PLATED
SCALE : 7 : 1	CHK'D	DONG. PANG	DATE	2024-4-8			1	CASE	PBT	1	BLACK
VERSION	01	APPD.	FEI. LONG. HE	DATE			2024-4-8	NO.	PART NAME	MATERIAL	QTY