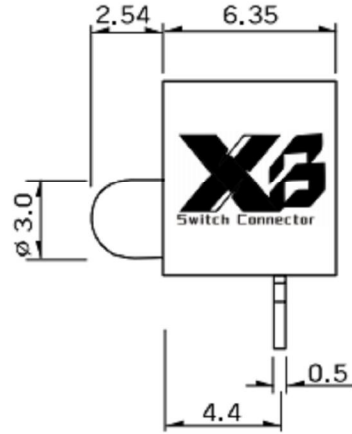
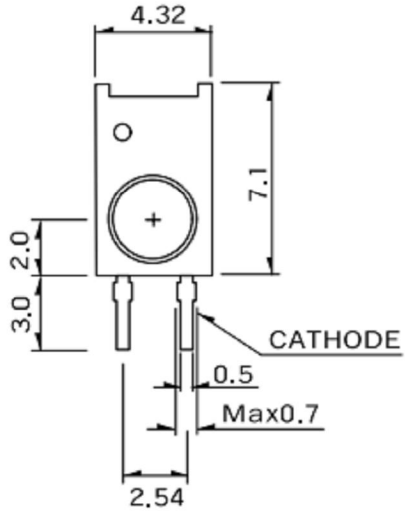
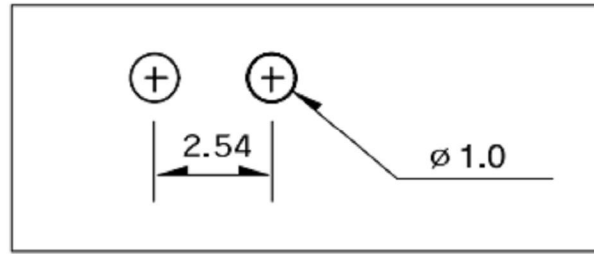


# ROHS



## P.C.B DIMENSION



\* Reverse Cathode Left : SAE-0X07G  
Housing Color : Gray

Package	LED TYPE	Part No.	Chip		Lens		Absolute Maximum Ratings			Electro-optical Data(At 20mA)		Viewing Angle 2θ 1/2°(99)			
			Emitted Color	Peak Wavelength (nm)	Appearance	ΔI (mA)	Pd (mW)	If (mA)	Vf (V)	Iv Typ. (mcd)	Iv Max. (mcd)				
High Efficiency	01	BL-B2141K	Green	568	Green Diffused	30	100	30	150	2.2	2.6	30.0	50		
		BL-B3141K	Yellow	585	Yellow Diffused	35	100	30	150	2.1	2.6	20.0	50		
		BL-BA1141K	Amber	610	Amber Diffused	35	100	30	150	2.0	2.6	60.0	50		
		BL-DB141K	Bright Red	700	Red Diffused	90	50	15	50	2.2	2.6	10.0	50		
		BL-BB41V1E	Super Blue	470	Blue Diffused	30	100	30	100	3.5	4.0	550	45		
		BL-B5141K-L	Hi-Eff Red	635	Red Diffused	45	15	7	-	1.7	2.2	4.5	50		
	Low Current	02	BL-B2141K-L	Green	568	Green Diffused	30	16	7	-	1.9	2.3	7.0	50	
			BL-B3141K-L	Yellow	585	Yellow Diffused	35	15	7	-	1.8	2.2	3.5	50	
			BR-B4541K-05V	Hi-Eff Red	635	Red Diffused	-	-	8	-	5	-	15.5	-	
		Integral Resistor 5V	03	BR-B2141K-05V	Green	568	Green Diffused	-	-	8	-	5	-	15.5	-
				BR-B3141K-05V	Yellow	585	Yellow Diffused	-	-	8	-	5	-	14.0	-
				BR-B4141K-05V	Orange	635	Orange Diffused	-	-	8	-	5	-	15.5	-
Bi-color	07	BL-BEX271E	Hi-Eff Red	635	White Diffused	45	100	30	150	2.0	2.6	25.0	45		
		BL-BYX271E	Green	568	White Diffused	30	100	30	150	2.2	2.6	30.0	45		
			Yellow	585	White Diffused	35	100	30	150	2.1	2.6	20.0	45		
			Green	568	White Diffused	30	100	30	150	2.2	2.6	30.0	45		
1.0" Lead Flangeless	01	BL-B5133N	Bright Red	700	Red Diffused	90	50	15	50	2.2	2.6	50.0	40		
		BL-B2133N	Green	568	Green Diffused	30	100	30	150	2.2	2.6	65.0	40		
		BL-B3133N	Yellow	585	Yellow Diffused	35	100	30	150	2.1	2.6	50.0	40		
		BL-B5134N	Bright Red	700	Red Diffused	90	50	15	50	2.2	2.6	13.0	45		
		BL-B2134N	Green	568	Green Diffused	30	100	30	150	2.2	2.6	90.0	45		
		BL-B3134N	Yellow	585	Yellow Diffused	35	100	30	150	2.1	2.6	70.0	45		
	T-1 3/4 1.0" Lead Flangeless	07	BL-BB41R4N	Super Blue	470	Blue Diffused	30	100	30	100	3.5	4.0	550	45	
			BL-BEG274N	Hi-Eff Red	635	White Diffused	45	100	30	150	2.0	2.6	45.0	45	
			BL-BYG274N	Yellow	585	White Diffused	35	100	30	150	2.1	2.6	35.0	45	
				Green	568	White Diffused	30	100	30	150	2.2	2.6	50.0	45	
				Green	568	White Diffused	30	100	30	150	2.2	2.6	50.0	45	
			T-1 3/4 1.0" Lead Standard	02	BL-BEG204	Hi-Eff Red	635	White Diffused	45	100	30	150	2.0	2.6	35.0
Green	568	White Diffused			30	100	30	150	2.2	2.6	45.0	40			
Yellow	585	White Diffused			35	100	30	150	2.1	2.6	30.0	40			
Green	568	White Diffused			30	100	30	150	2.2	2.6	45.0	40			
2.0x5.0x7.0 1.0" Lead Rectangular	01	BL-PW7302B-R	Hi-Eff Red	635	Water Clear	45	100	30	150	2.0	2.6	4.0	80		
Green	568	Water Clear	30	100	30	150	2.2	2.6	4.5	80					

Model	SAE-0207	SAE-0307	SAE-0407	SAE-2507	SAE-0507	SAE-0607	SAE-0707	SAE-0807	SAE-1107	SAE-1207	SAE-1307	SAE-0312	SAE-0332
LED COLOR	Green	Yellow	Red	Amber	Red (5V)	Green (5V)	Yellow (5V)	Blue	Red (Low)	Yellow (Low)	Green (Low)	Red / Green	Yellow / Green
LED SPEC	BL-B2141K	BL-B3141K	BL-B5141K	BL-BA1141K	BR-B4541K-05V	BR-B2141K-05V	BR-B3141K-05V	BL-BB41V1E	BL-B5141K-L	BL-B3141K-L	BL-B2141K-L	BL-BEX271E	BL-BYX271E

Measuring items	Symbol	Measuring conditions	Judgment criteria for failure
Forward voltage	V <sub>f</sub> (V)	I <sub>f</sub> =20mA	Over U'x1.2
Reverse current	I <sub>r</sub> (uA)	V <sub>r</sub> =5V	Over U'x2
Luminous intensity	I <sub>v</sub> (mcd)	I <sub>f</sub> =20mA	Below S'X0.5

	<h2>东莞市溪榜电子有限公司</h2> <h3>DONG GUAN XI BANG ELECTRONICS CO., LTD</h3>										
	TITLE : XB LED模块系列 XB LED MODULE Series		MODEL : XB-SAE-0x07								
UNIT : MM	DWN.	ZENQ. CHEN	DATE	2024-4-8		TOLERANCE <=1.5mm ±0.1 >1.5mm ±0.2 >=10mm ±0.3	ANGLE TOL ±2°	2	TERMINAL	PBS STRIP	3
SCALE : 7 : 1	CHK'D	DONG. PANG	DATE	2024-4-8	1			CASE	PBT	1	BLACK
VERSION	01	APPD.	FEI. LONG. HE	DATE	2024-4-8			NO.	PART NAME	MATERIAL	QTY