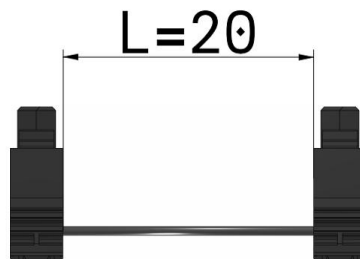
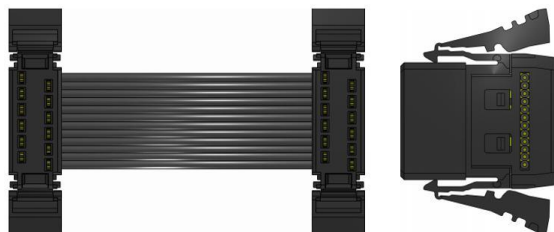
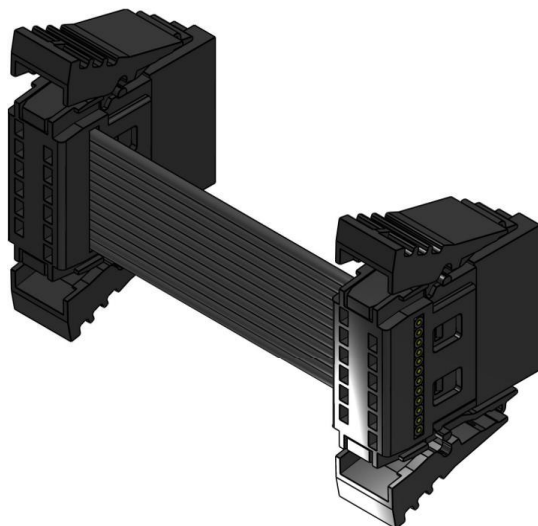


2D derivation



ISO view



Specifications
 Current Rating:1.3Amp
 Insulation Resistance:1000MΩMin.
 Dielectric Withstanding Voltage:300VAC
 Contact Resistance:20mΩMax.
 Moisture sensitivity level: 1
 Operating Temperature:-55°C to +125°C
 Materials
 Contact Material:Phosphor Bronze
 Insulator Material:High Temperature Thermoplastic, UL 94V-0 LCP or the equivalent material
 All materials must meet XI BANG hazardous substances control standards.

N°	描述	数量
1	LQQE206-770020X30- (Type-1)	1
1.1	LQQE206.-30Type-1204. 2dy	1
1.2	QGEA217-6	2
1.3	QGEA217-62	2
1.4	cqea217-端子	24
1.5	layer204. 2 6	1

PIN (PIN数)	6
L (尺寸:L)	20
TYPE (Type)	Type-1
AWG (AWG)	30
PLATING (电镀信息)	77:接触端镀金15u", 其它区域镀雾锡80~160u"

东莞市溪榜电子有限公司
 DONG GUAN XI BANG ELECTRONICS CO., LTD

REV. 02 UNIT. mm SCALE. 5:2 PAGE. 1/1

GENERAL TOLERANCE	
X.*±5.0*	X.±0.30
.X*±3.0*	.X±0.25
.XX*±2.0*	.XX±0.15
.XXX*±1.0*	.XXX±0.10

DESIGNED:
 CHECKED:
 CO SIGNED:
 APPROVED:

DATE:
 DATE:
 DATE:
 DATE:

DWG. NO.
 XB-IDC-206
 PART NO.

TITLE.