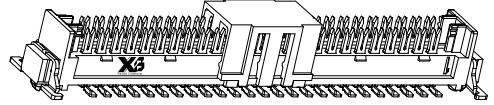
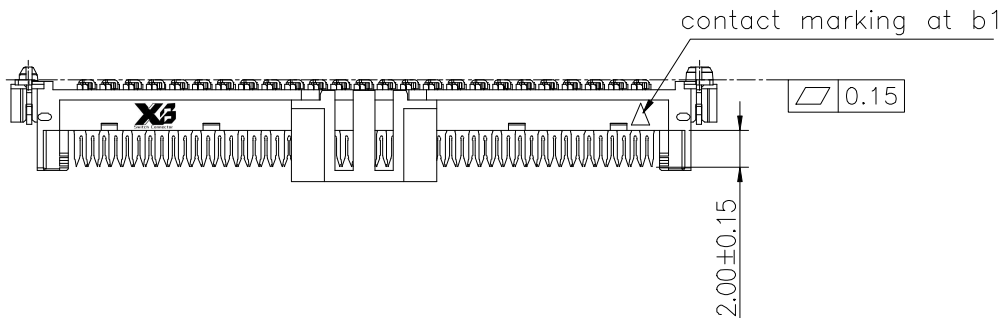
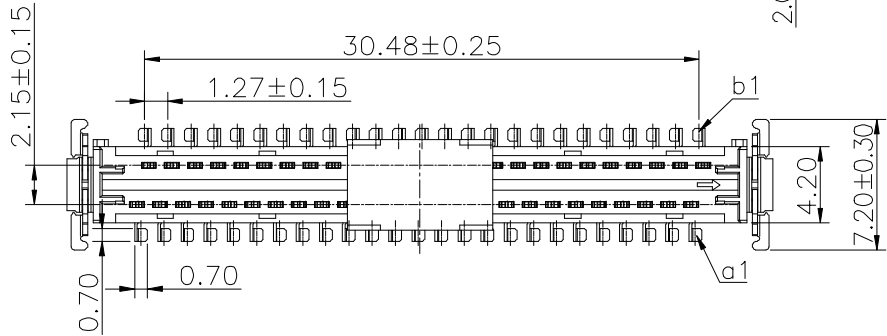


1 2 3 4 5 6 7 8 9

F



E



Specifications

Current Rating:1.3Amp

Insulation Resistance:1000MΩMin.

Dielectric Withstanding Voltage:300VAC

Contact Resistance:20mΩMax.

Moisture sensitivity level: 1

Operating Temperature:-55°C to +125°C

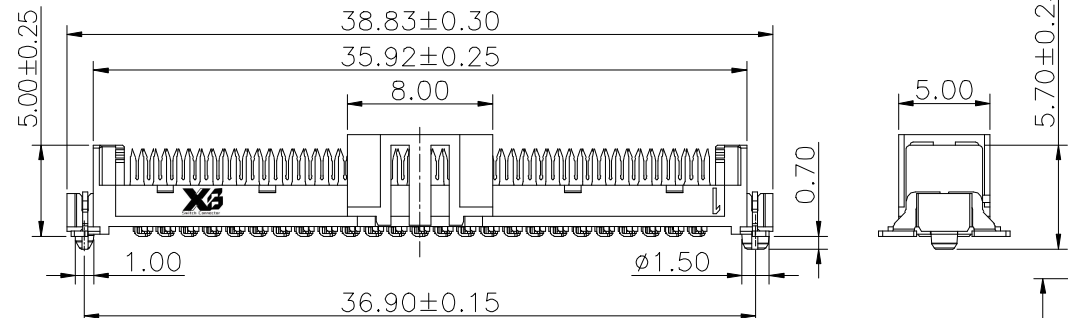
Materials

Contact Material:Phosphor Bronze

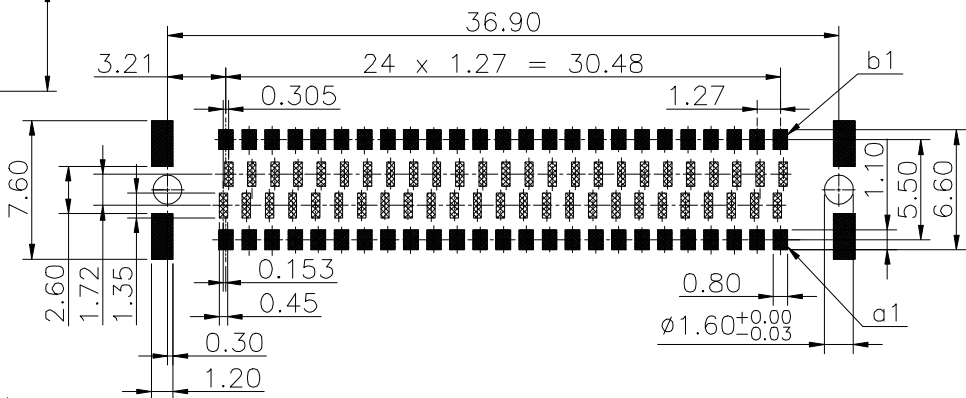
Insulator Material:High Temperature Thermoplastic, UL 94V-0 LCP or the equivalent material

All materials must meet XI BANG hazardous substances control standards.

D



Recommended P.C.Board Layout
(Tolerance:±0.05)



B

Ordering Information

XB-IDC-201 - XX XX B 001 C X S X

No. of Pins per Row 25

Standard Plating 22=Matte Tin

Color 1=Black

Standard Packing F=CAP+Tape&Reel

A

XB 东莞市溪榜电子有限公司
DONG GUAN XI BANG ELECTRONICS CO., LTD

REV.	UNIT.	SCALE.	PAGE.	
02	mm	5:2	1/1	

GENERAL TOLERANCE	
X:±5.0'	X.±0.30
.X:±3.0'	.X±0.25
.XX:±2.0'	.XX±0.15
.XXX:±1.0'	.XXX±0.10

DESIGNED:	DATE:
CHECKED:	DATE:
CO SIGNED:	DATE:
APPROVED:	DATE:

DWG. NO.	TITLE.
XB-IDC-201	1.27 DRC board on IDC 50-polig50-contacts
PART NO.	

1 2 3 4 5 6 7 8 9