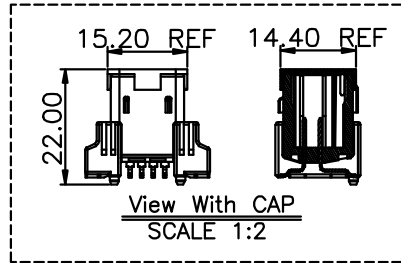
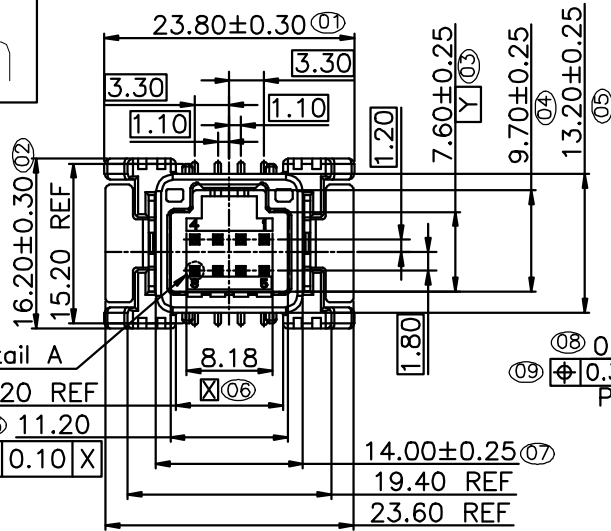
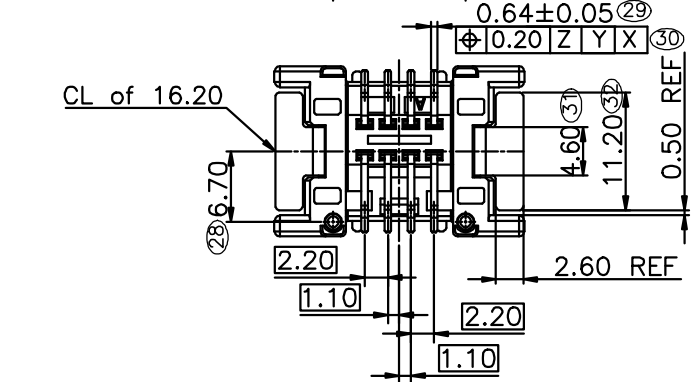
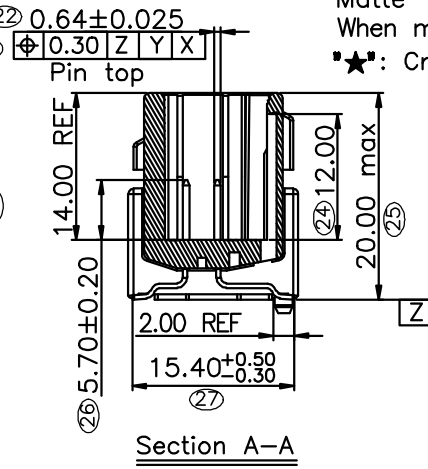
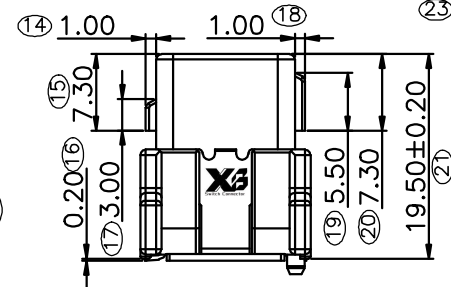
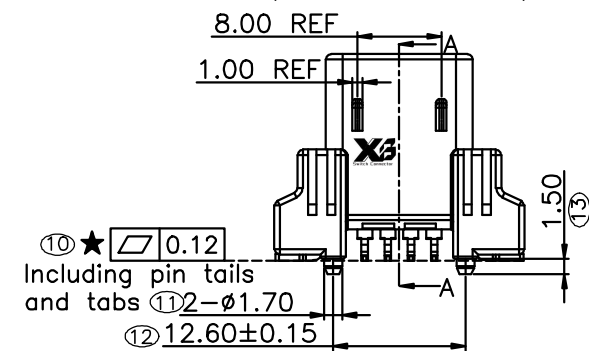
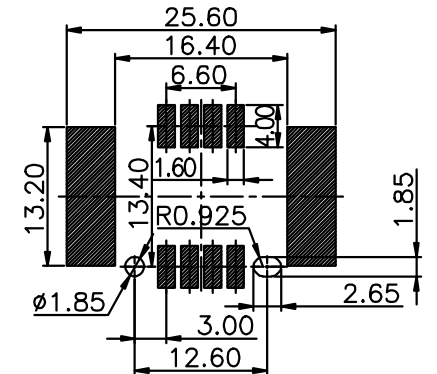


4Pin



Specifications
 Current Rating:3.0Amp
 Insulation Resistance:1000MΩ Min.
 Dielectric Withstanding Voltage:1000V AC
 Contact Resistance:Initial 8mΩ Max.,
 Final 16mΩ Max.
 Operating Temperature:-40°C to +105°C
 Materials
 Contact Material:Coppere alloy
 Stabilizer Material:Coppere alloy
 Insulator Material:LCP+GF, UL94V-0 Color: Black
 Plating:
 Nickel underplated 50~100u" over all
 Matte Tin 80~160u" over all
 When mounting,thickness of solder paste:0.15mm Min.
 ★: Critical Characteristics.

Recommended P.C.Board Layout
 (Tolerance:±0.05)



Ordering Information

XB-CAR-214-4P - XX XX B 003 C 1 J X
 No. of Pins per Row 04
 Standard Plating 22=Matte Tin over all 80~160u" Nickel underplated over all 50~100u"
 Color 1=Black
 Standard Packing F=Cap+Tape&reel

XB 东莞市溪榜电子有限公司
 Switch Connector DONG GUAN XI BANG ELECTRONICS CO., LTD

GENERAL TOLERANCE	
X:±3'	.X±0.25
.X'±2'	.XX±0.20
.XX'±1'	.XXX±0.15

DESIGNED:
 CHECKED:
 CO SIGNED:
 APPROVED:

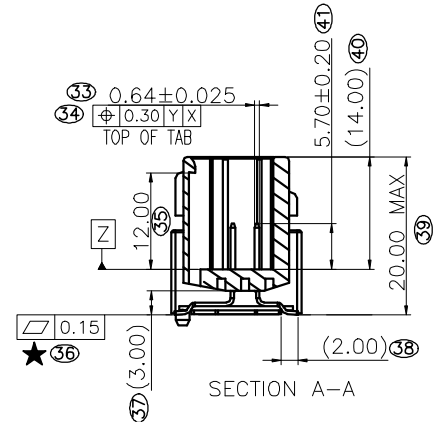
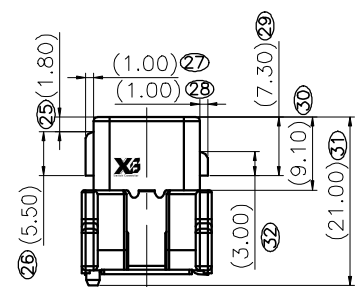
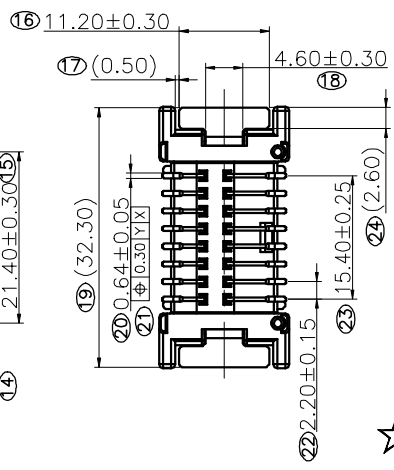
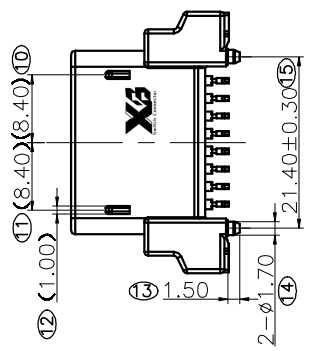
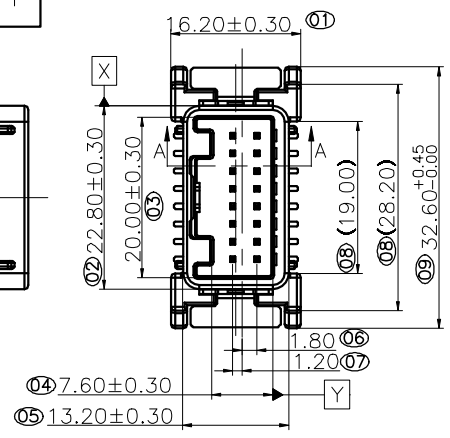
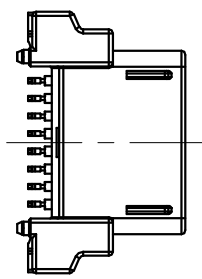
DATE:
 DATE:
 DATE:
 DATE:

DWG. NO.
 XB-CAR-214-4P
 PART NO.

TITLE.
 PITCH 2.20mm CMOD
 SERIES CONNECTOR

REV.	UNIT.	SCALE.	PAGE.
01	mm	1:1.4	1/1

8Pin



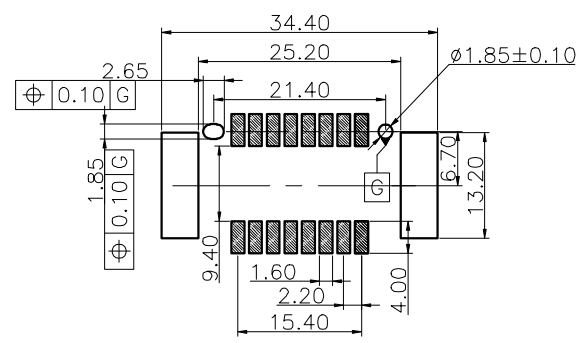
Specifications
 Current Rating:3.0Amp AC/ DC.
 Voltage Rating:250VAC.
 Insulation Resistance:100MΩ Min.
 Dielectric Withstanding Voltage:1000VAC
 Contact Resistance:Initial 8mΩ Max.,
 Final 16mΩ Max.
 Operating HighTemperature:-25°C to +85°C.

Materials
 Contact Material:Brass.
 Insulator Material:High Temperature Thermoplastic,
 UL 94V-0 Nylon 9T or the equivalent material.

★ All materials must meet XI BANG hazardous substances control standards.

★: Critical Characteristics, indicates product characteristics, functionalities, and manufacturing processes regarding to customer's specifications
 ☆: Safety Features indicates product characteristics, functionalities, and manufacturing processes complying to legal regulations stated by local government

Recommended P.C.Board Layout
 (Tolerance:±0.05)



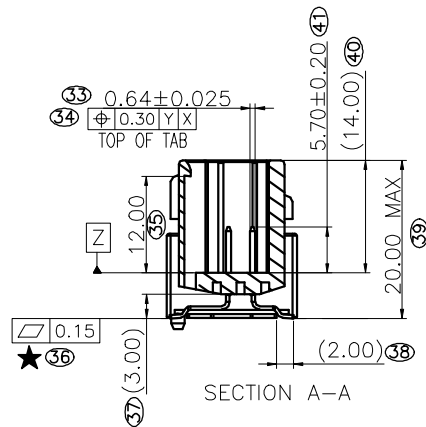
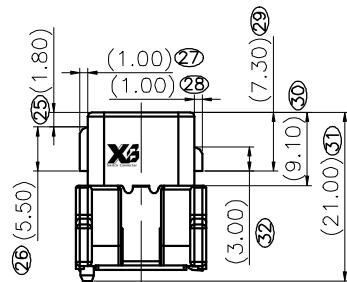
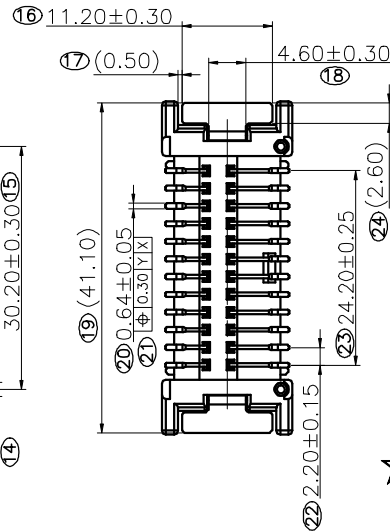
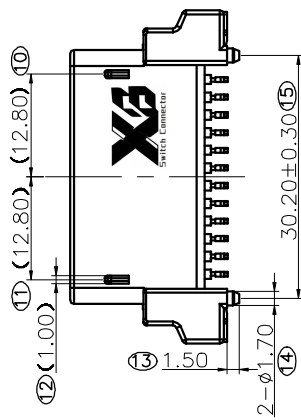
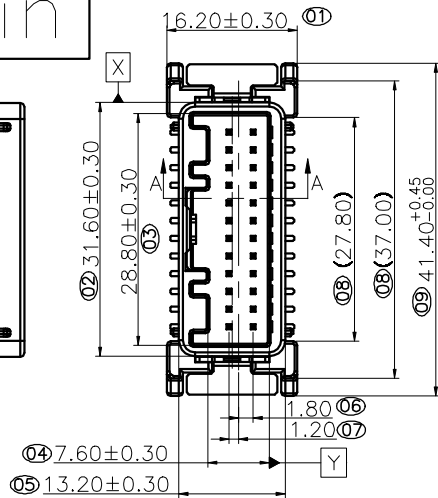
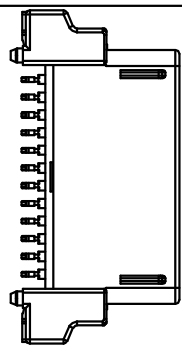
Ordering Information

XB-CAR-214-8P - XX XX B XXX J 1 Z X

No. of Pins per Row 08
 Standard Plating 01=Ni:50~100μ"
 Tin:80~160μ"
 Color 1=Black
 Standard Packing C=Tube

东莞市溪榜电子有限公司 SWITCH CONNECTORS DONG GUAN XI BANG ELECTRONICS CO., LTD		3RD.ANG PROJ. 	GENERAL TOLERANCE		DESIGNED:	DATE:	DWG. NO. XB-CAR-214-8P	TITLE. 2.20 PITCH DUAL ROWS SMT TYPE CONNECTOR
			X:±5.0'	X.±0.30	CHECKED:	DATE:		
REV. A	UNIT. mm	SCALE. 1:1	PAGE. 1/1	.X'±3.0'	.X±0.25	APPROVED:	DATE:	PART NO.
				.XX'±2.0'	.XX±0.15			
				.XXX'±1.0'	.XXX±0.10			

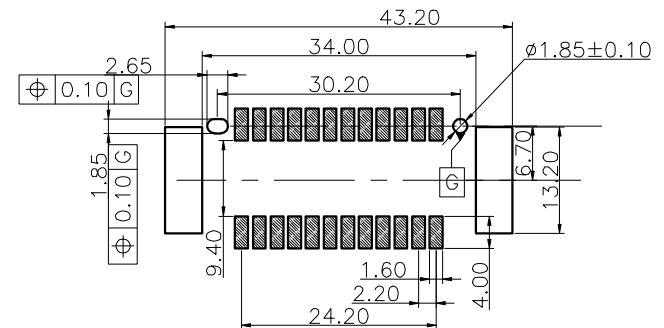
12Pin



Specifications
 Current Rating:3.0Amp AC/ DC.
 Voltage Rating:250VAC.
 Insulation Resistance:100MΩ Min.
 Dielectric Withstanding Voltage:1000VAC
 Contact Resistance:Initial 8mΩ Max.,
 Final 16mΩ Max.
 Operating HighTemperature:-25°C to +85°C.
 Materials
 Contact Material:Brass.
 Insulator Material:High Temperature Thermoplastic,
 UL 94V-0 Nylon 9T or the equivalent material.

★ All materials must meet XI BANG hazardous substances control standards.
 ★: Critical Characteristics, indicates product characteristics, functionalities, and manufacturing processes regarding to customer's specifications
 ☆: Safety Features indicates product characteristics, functionalities, and manufacturing processes complying to legal regulations stated by local government

Recommended P.C.Board Layout
 (Tolerance:±0.05)



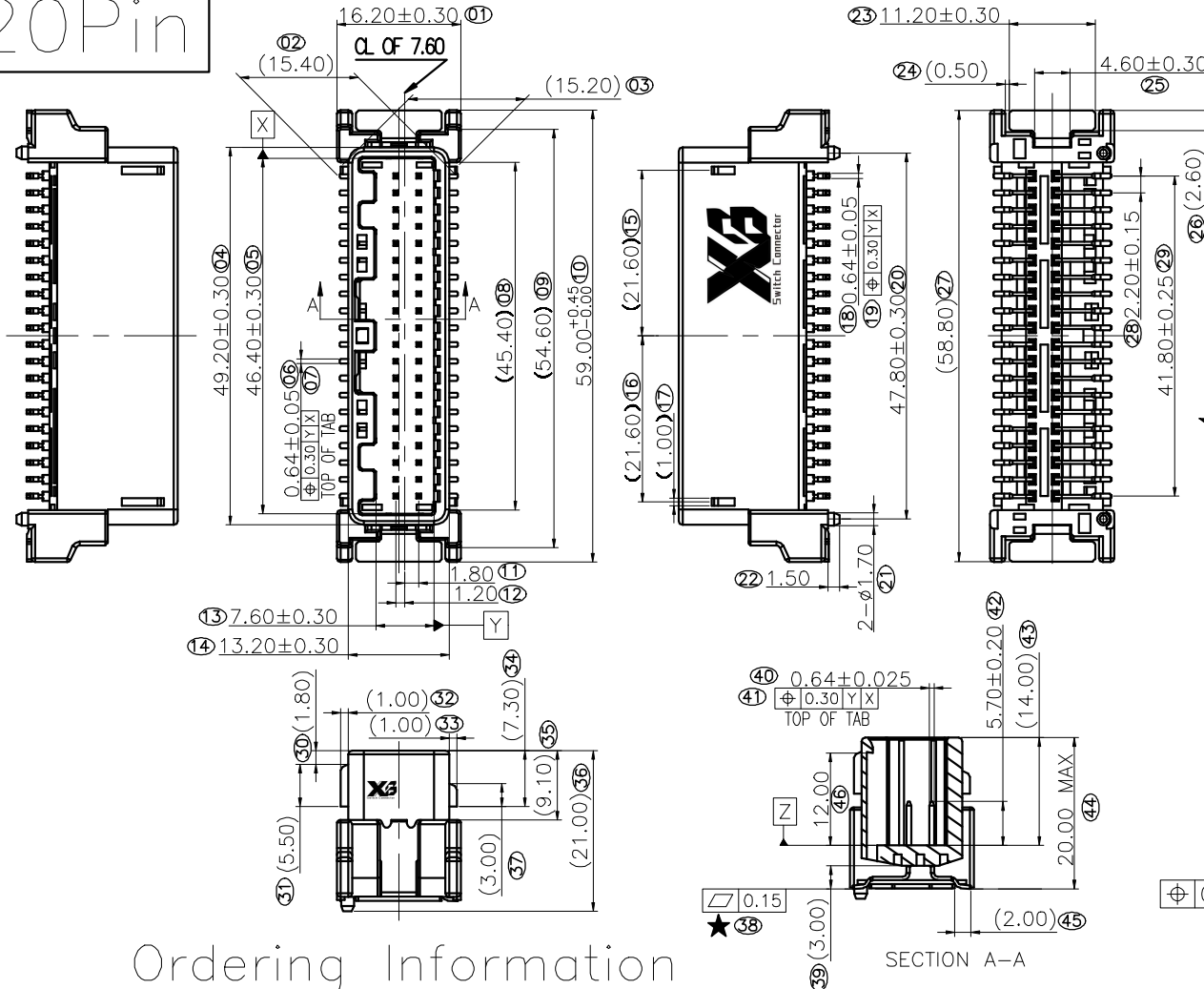
Ordering Information

XB-CAR-214-12P - XX XX B XXX J 1 Z X

No. of Pins per Row 12
 Standard Plating 01=Ni:50~100μ
 Tin:80~160μ
 Color 1=Black
 Standard Packing C=Tube

东莞市溪榜电子有限公司 Switch Connector DONG GUAN XI BANG ELECTRONICS CO., LTD	3RD.ANG PROJ.	GENERAL TOLERANCE		DESIGNED:	DATE:	DWG. NO.	TITLE.
		X.±5.0'	X.±0.30	CHECKED:	DATE:	XB-CAR-214-12P	2.20 PITCH DUAL ROWS SMT TYPE CONNECTOR
REV. A	UNIT. mm	SCALE. 1:1	PAGE. 1/1	APPROVED:	DATE:	PART NO.	

20Pin

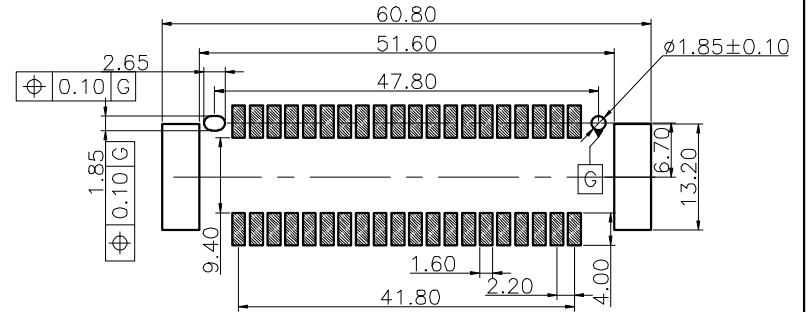


Specifications
 Current Rating:3.0Amp AC/ DC.
 Voltage Rating:250VAC.
 Insulation Resistance:100MΩ Min.
 Dielectric Withstanding Voltage:1000VAC
 Contact Resistance:Initial 8mΩ Max.,
 Final 16mΩ Max.
 Operating HighTemperature:-25°C to +85°C.

Materials
 Contact Material:Brass.
 Insulator Material:High Temperature Thermoplastic,
 UL 94V-0 Nylon 9T or the equivalent material.

☆ All materials must meet XI BANG hazardous substances control standards.
 ★: Critical Characteristics, indicates product characteristics, functionalities, and manufacturing processes regarding to customer's specifications
 ☆: Safety Features indicates product characteristics, functionalities, and manufacturing processes complying to legal regulations stated by local government

Recommended P.C.Board Layout
 (Tolerance:±0.05)



Ordering Information

XB-CAR-214-20P - XX XX B 002 J 1 Z X

No. of Pins per Row 20
 Standard Plating 01=Ni:50~100μ^m
 Tin:80~160μ^m
 Color 1=Black
 Standard Packing C=Tube

REV. A	UNIT. mm	SCALE. 1:1	PAGE. 1/1	GENERAL TOLERANCE		DESIGNED:	DATE:	DWG. NO. XB-CAR-214-20P	TITLE. 2.20 PITCH DUAL ROWS SMT TYPE CONNECTOR
				X:±5.0'	X.±0.30	CHECKED:	DATE:		
				.X'±3.0'	.X±0.25	APPROVED:	DATE:		
				.XX'±2.0'	.XX±0.15				
				.XXX'±1.0'	.XXX±0.10				