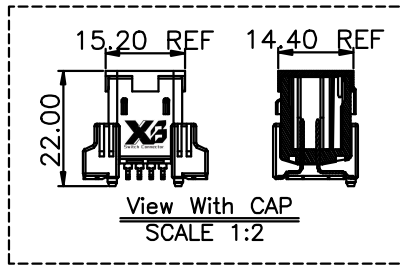
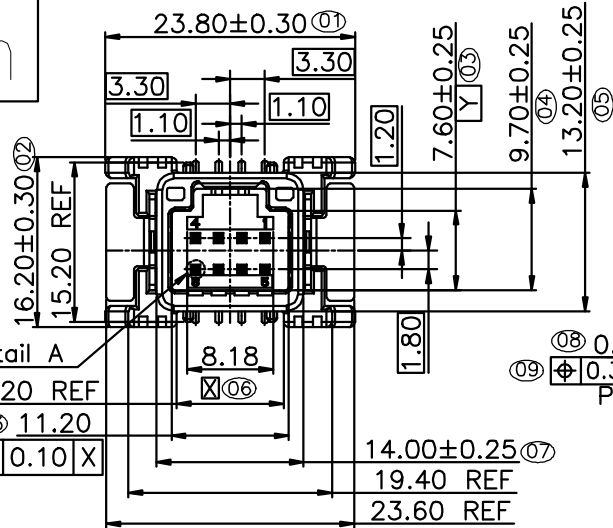
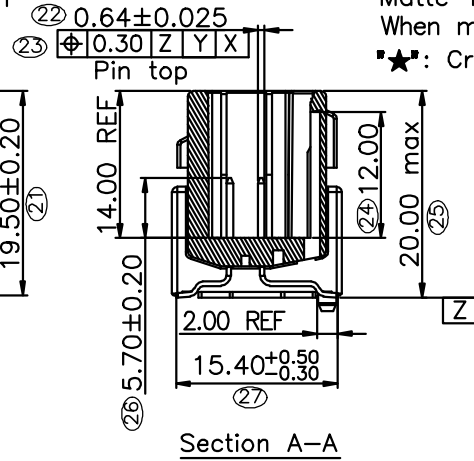
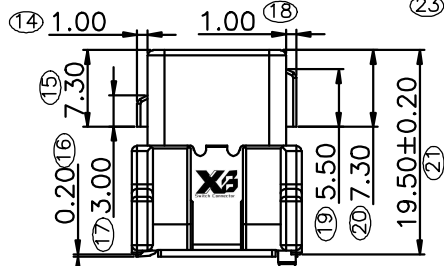
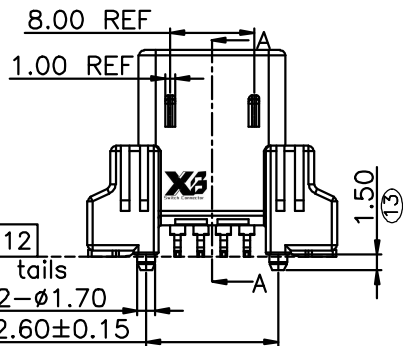


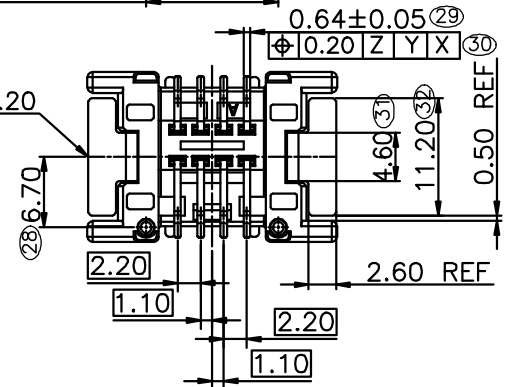
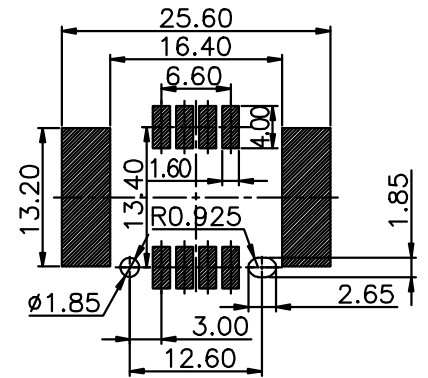
4Pin



Specifications
 Current Rating:3.0Amp
 Insulation Resistance:1000MΩ Min.
 Dielectric Withstanding Voltage:1000V AC
 Contact Resistance:Initial 8mΩ Max.,
 Final 16mΩ Max.
 Operating Temperature:-40°C to +105°C
 Materials
 Contact Material:Coppere alloy
 Stabilizer Material:Coppere alloy
 Insulator Material:LCP+GF, UL94V-0 Color: Black
 Plating:
 Nickel underplated 50~100u" over all
 Matte Tin 80~160u" over all
 When mounting,thickness of solder paste:0.15mm Min.
 ★: Critical Characteristics.



Recommended P.C.Board Layout
 (Tolerance:±0.05)



Ordering Information

XB-CAR-214-A - XX XX B 003 C 1 J X
 No. of Pins per Row 04
 Standard Plating 22=Matte Tin over all 80~160u" Nickel underplated over all 50~100u"
 Color 1=Black
 Standard Packing F=Cap+Tape&reel

东莞市溪榜电子有限公司
 Switch Connector DONG GUAN XI BANG ELECTRONICS CO., LTD

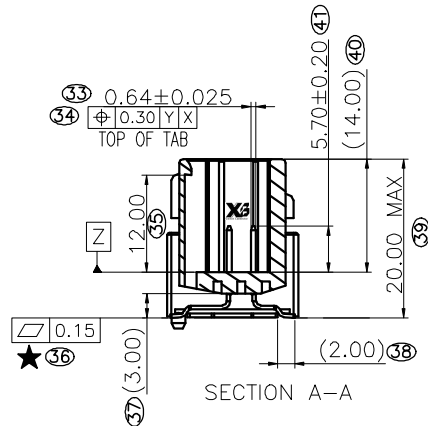
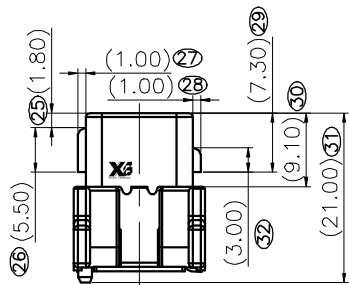
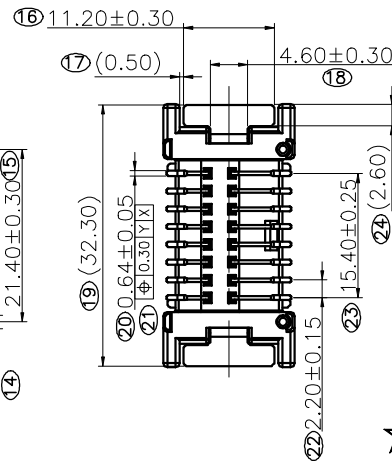
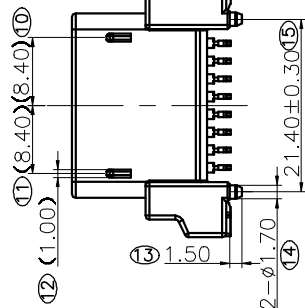
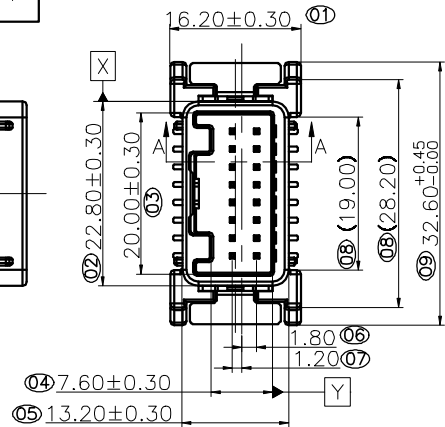
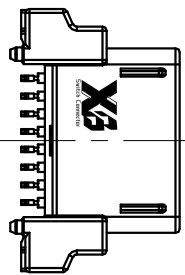
GENERAL TOLERANCE	
X'±3'	.X±0.25
.X'±2'	.XX±0.20
.XX'±1'	.XXX±0.15

DESIGNED:	DATE:	DWG. NO.
CHECKED:	DATE:	XB-CAR-214-A
CO SIGNED:	DATE:	PART NO.
APPROVED:	DATE:	

TITLE.
PITCH 2.20mm CMOD SERIES CONNECTOR

REV.	UNIT.	SCALE.	PAGE.
01	mm	1:1.4	1/1

8Pin

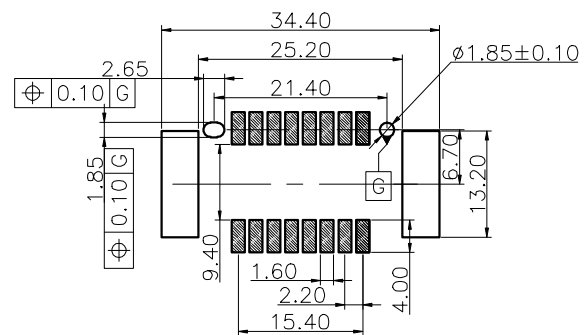


Specifications
 Current Rating:3.0Amp AC/ DC.
 Voltage Rating:250VAC.
 Insulation Resistance:100MΩ Min.
 Dielectric Withstanding Voltage:1000VAC
 Contact Resistance:Initial 8mΩ Max.,
 Final 16mΩ Max.

Operating HighTemperature:-25°C to +85°C.
 Materials
 Contact Material:Brass.
 Insulator Material:High Temperature Thermoplastic,
 UL 94V-0 Nylon 9T or the equivalent material.

★ All materials must meet XI BANG hazardous substances control standards.
 ★: Critical Characteristics, indicates product characteristics, functionalities, and manufacturing processes regarding to customer's specifications
 ☆: Safety Features indicates product characteristics, functionalities, and manufacturing processes complying to legal regulations stated by local government

Recommended P.C.Board Layout
 (Tolerance:±0.05)



Ordering Information

XB-CAR-214-A-XX XX B XXX J 1 Z X

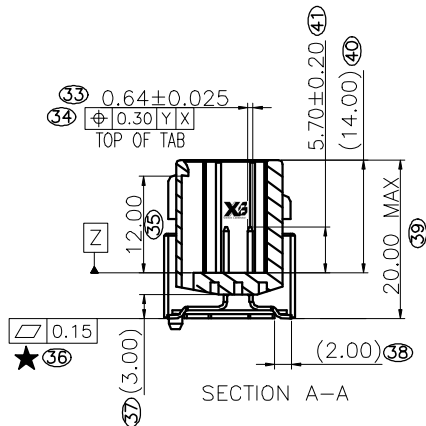
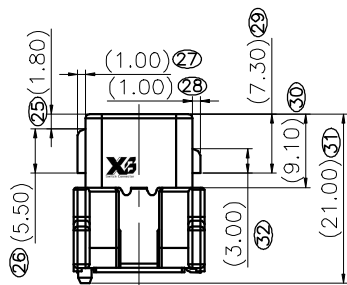
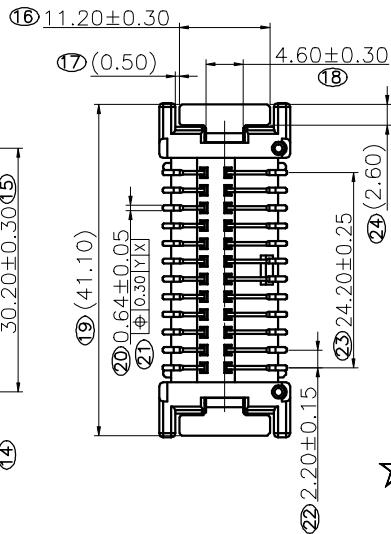
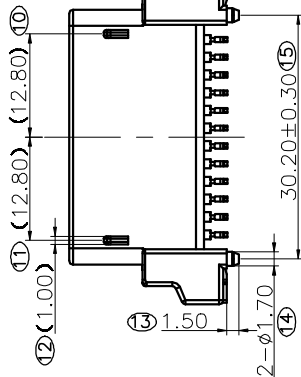
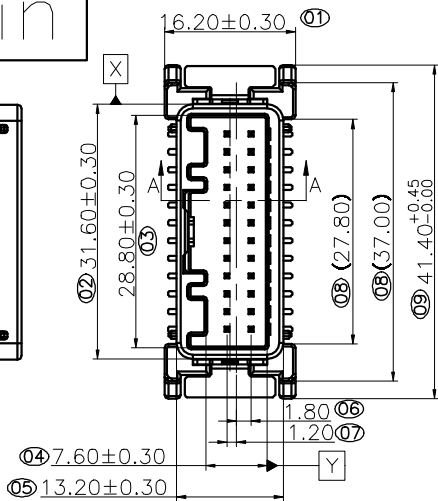
No. of Pins per Row: 08
 Standard Plating: 01=Ni:50~100μ, Tin:80~160μ
 Color: 1=Black
 Standard Packing: C=Tube

REV. A	UNIT. mm	SCALE. 1:1	PAGE. 1/1	GENERAL TOLERANCE		DESIGNED:	DATE:	DWG. NO. XB-CAR-214-A-8P	TITLE. 2.20 PITCH DUAL ROWS SMT TYPE CONNECTOR
				X.±5.0'	X.±0.30	CHECKED:	DATE:		
				.X'±3.0'	.X±0.25	APPROVED:	DATE:	PART NO.	
				.XX'±2.0'	.XX±0.15				
				.XXX'±1.0'	.XXX±0.10				

XI BANG 东莞市溪榜电子有限公司
 SWITCH CONNECTOR DONG GUAN XI BANG ELECTRONICS CO., LTD

3RD.ANG PROJ.

12Pin



Specifications
 Current Rating:3.0Amp AC/ DC.
 Voltage Rating:250VAC.
 Insulation Resistance:100MΩ Min.
 Dielectric Withstanding Voltage:1000VAC
 Contact Resistance:Initial 8mΩ Max.,
 Final 16mΩ Max.

Operating HighTemperature:-25°C to +85°C.
 Materials

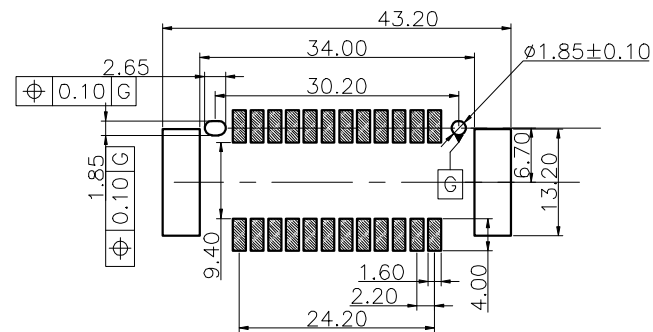
Contact Material:Brass.
 Insulator Material:High Temperature Thermoplastic,
 UL 94V-0 Nylon 9T or the equivalent material.

★ All materials must meet XI BANG
 hazardous substances control standards.

★: Critical Characteristics,
 indicates product characteristics,
 functionalities, and manufacturing processes
 regarding to customer's specifications

☆: Safety Features
 indicates product characteristics,
 functionalities, and manufacturing processes
 complying to legal regulations stated by
 local government

Recommended P.C.Board
 Layout
 (Tolerance:±0.05)



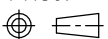
Ordering Information

XB-CAR-214-A - XX XX B XXX J 1 Z X

No. of Pins per Row: 12
 Standard Plating: 01=Ni:50~100μ"
 Tin:80~160μ"
 Color: 1=Black
 Standard Packing: C=Tube

XB 东莞市溪榜电子有限公司
 SWITCH CONNECTOR DONG GUAN XI BANG ELECTRONICS CO., LTD

3RD.ANG
 PROJ.



PAGE.
 1/1

GENERAL TOLERANCE

X'±5.0'	X.±0.30
.X'±3.0'	.X±0.25
.XX'±2.0'	.XX±0.15
.XXX'±1.0'	.XXX±0.10

DESIGNED:

DATE:

CHECKED:

DATE:

APPROVED:

DATE:

DWG. NO.

XB-CAR-214-A-12P

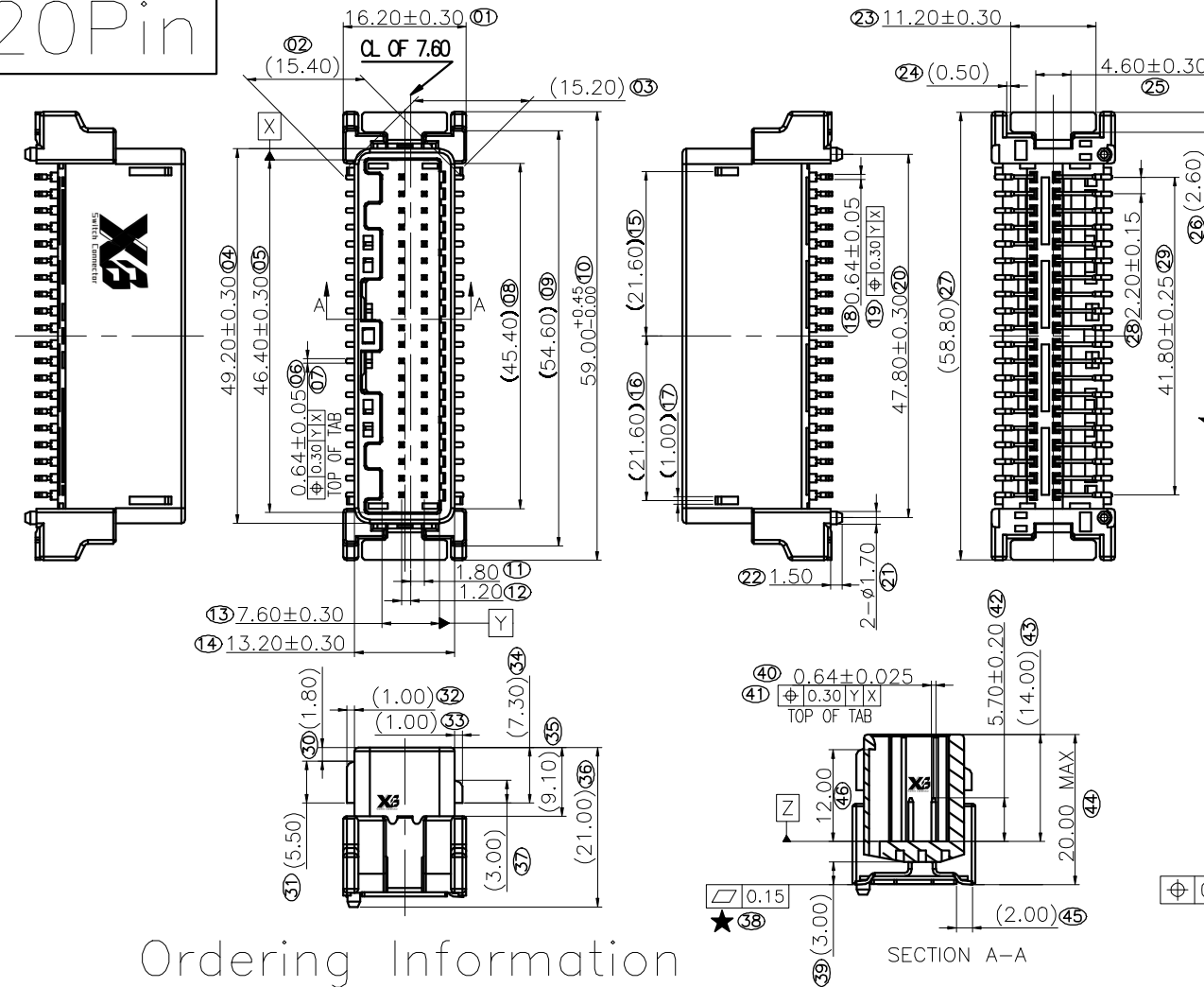
PART NO.

TITLE.

2.20 PITCH DUAL ROWS
 SMT TYPE CONNECTOR

REV. A	UNIT. mm	SCALE. 1:1	PAGE. 1/1
-----------	-------------	---------------	--------------

20Pin



Specifications
 Current Rating:3.0Amp AC/ DC.
 Voltage Rating:250VAC.
 Insulation Resistance:100MΩ Min.
 Dielectric Withstanding Voltage:1000VAC
 Contact Resistance:Initial 8mΩ Max.,
 Final 16mΩ Max.
 Operating HighTemperature:-25°C to +85°C.

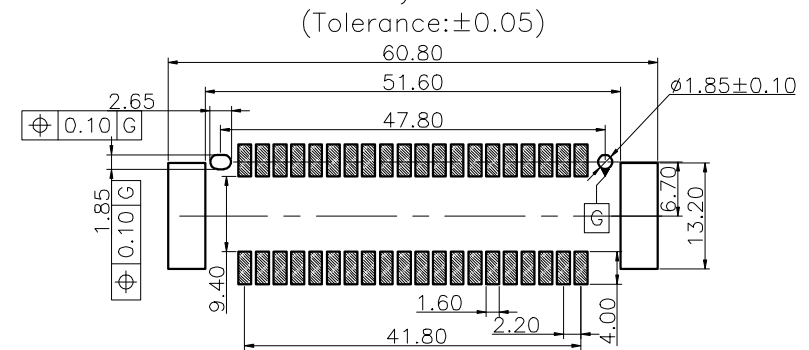
Materials
 Contact Material:Brass.
 Insulator Material:High Temperature Thermoplastic,
 UL 94V-0 Nylon 9T or the equivalent material.

☆ All materials must meet XI BANG hazardous substances control standards.

★: Critical Characteristics, indicates product characteristics, functionalities, and manufacturing processes regarding to customer's specifications

☆: Safety Features indicates product characteristics, functionalities, and manufacturing processes complying to legal regulations stated by local government

Recommended P.C.Board Layout



Ordering Information

XB-CAR-214-A - XX XX B 002 J 1 Z X

No. of Pins per Row: 20
 Standard Plating: 01=Ni:50~100μ, Tin:80~160μ
 Color: 1=Black
 Standard Packing: C=Tube

东莞市溪榜电子有限公司 Switch Connectors DONG GUAN XI BANG ELECTRONICS CO., LTD		3RD.ANG PROJ. 	GENERAL TOLERANCE X.'±5.0' X.±0.30 .X'±3.0' .X±0.25 .XX'±2.0' .XX±0.15 .XXX'±1.0' .XXX±0.10		DESIGNED: CHECKED: APPROVED:	DATE: DATE: DATE:	DWG. NO. XB-CAR-214-A-20P PART NO.	TITLE. 2.20 PITCH DUAL ROWS SMT TYPE CONNECTOR
REV. A	UNIT. mm	SCALE. 1:1	PAGE. 1/1					