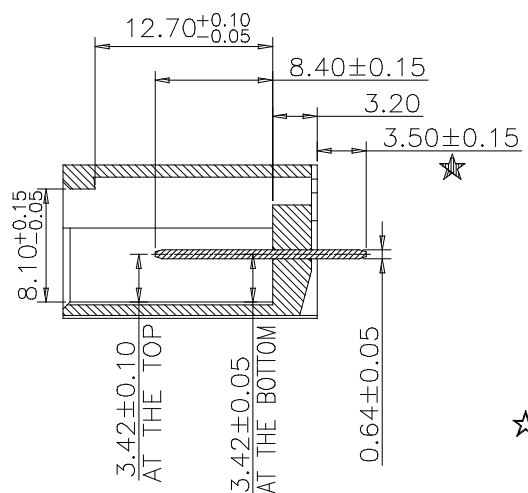
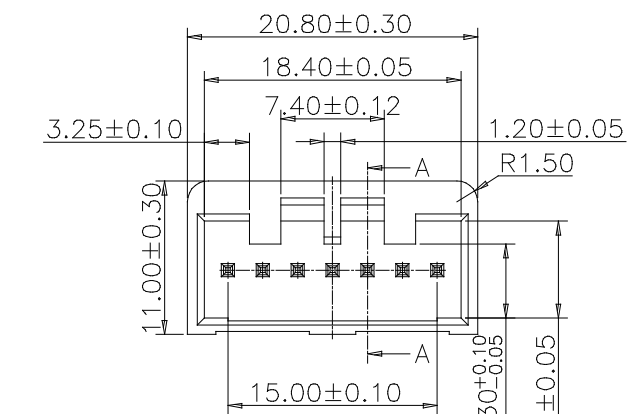


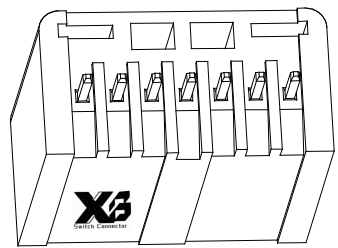
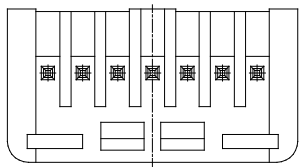
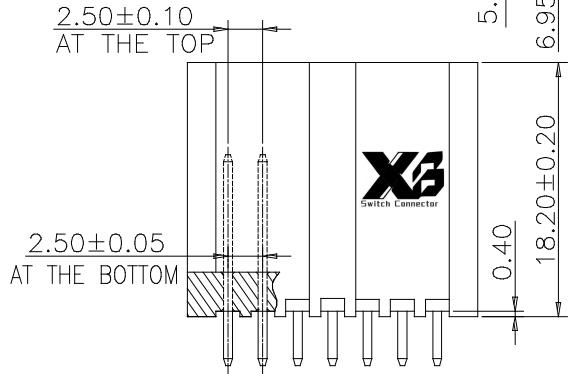
1 2 3 4 5 6 7 8 9

F  
E  
D  
C  
B  
A

F  
E  
D  
C  
B  
A



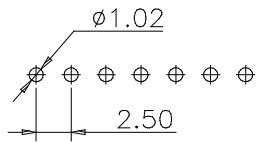
SECTION A-A



Specifications  
 Current Rating:3.0Amp  
 Insulation Resistance:1000MΩMin.  
 Dielectric Withstanding Voltage:600VAC  
 Contact Resistance:20mΩMax.  
 Operating Temperature:-40°C to +105°C  
 Materials  
 Contact Material:Brass  
 Insulator Material:Thermoplastic, UL 94V-0  
 PBT or the equivalent material

☆ All materials must meet XI BANG hazardous substances control standards.  
 "☆": Critical Characteristics, functionalities, and manufacturing processes regarding to customer's specifications  
 "☆": Safety Features indicates product characteristics, functionalities, and manufacturing processes complying to legal regulations stated by local government

Recommended P.C.Board Layout  
 (Tolerance:±0.05)



Ordering Information

**XB-CAR-105**    **XX**    **A**    **001**    **A**    **1**    **Z**    **X**

No. of Pins per Row: 07    Standard Plating: J3=Tin    Color: 1=Black    Standard Packing: C=Tube

<b>东莞市溪榜电子有限公司</b> DONG GUAN XI BANG ELECTRONICS CO., LTD	GENERAL TOLERANCE		DESIGNED:	DATE:	DWG. NO. <b>XB-CAR-105</b>	TITLE. 2.50 BOX HEADER SINGLE ROW DIP TYPE CONNECTOR
	X.*±5.0°	X.±0.30	CHECKED:	DATE:		
	.X*±3.0°	.X±0.25	CO SIGNED:	DATE:	PART NO.	
	.XX*±2.0°	.XX±0.15	APPROVED:	DATE:		
REV. 01	UNIT. mm	SCALE. 2:1	PAGE. 1/1			

1 2 3 4 5 6 7 8 9