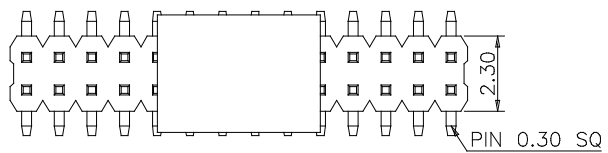


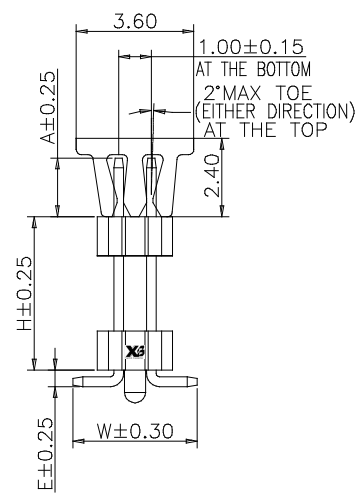
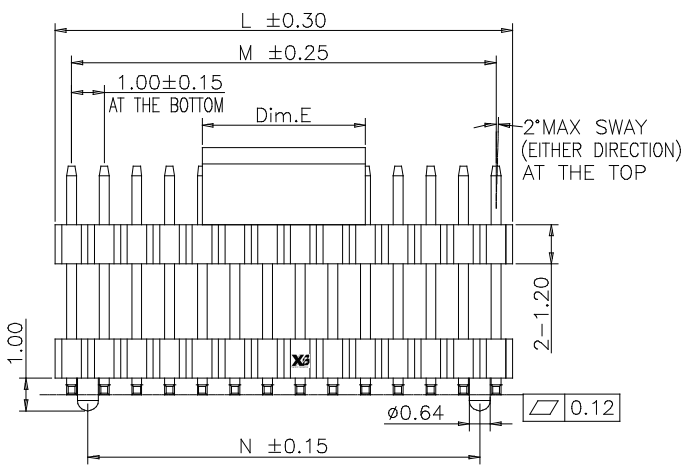
1 2 3 4 5 6 7 8 9

F  
E  
D  
C  
B  
A

F  
E  
D  
C  
B  
A

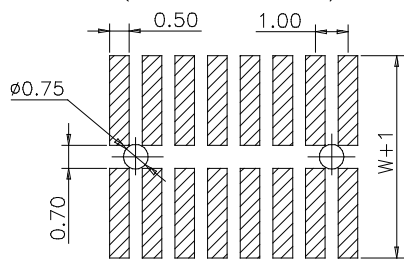


Specifications  
 Current Rating:1.0Amp  
 Insulation Resistance:1000MΩMin.  
 Dielectric Withstanding Voltage:300VAC  
 Contact Resistance:20mΩMax.  
 Operating Temperature:-40°C to +105°C  
 Materials  
 Contact Material:Phosphor Bronze  
 Insulator Material:High Temperature Thermoplastic, UL 94V-0 LCP or the equivalent material  
 All materials must meet XI BANG hazardous substances control standards.



No. of PIN/ROW	Dimension Information		
	M	L	N
02	1.00	200	
03	2.00	3.00	1.00
04	3.00	4.00	2.00
05	4.00	5.00	3.00
06	5.00	8.00	4.00
07	6.00	7.00	5.00
08	7.00	8.00	6.00
09	8.00	9.00	7.00
10	9.00	10.00	8.00
11	10.00	11.00	9.00
12	11.00	12.00	10.00
13	12.00	13.00	11.00
14	13.00	14.00	12.00
15	14.00	15.00	13.00
16	15.00	16.00	14.00
17	16.00	17.00	15.00
18	17.00	18.00	16.00
19	18.00	19.00	17.00
20	19.00	20.00	18.00
21	20.00	21.00	19.00
22	21.00	22.00	20.00
23	22.00	23.00	21.00
24	23.00	24.00	22.00
25	24.00	25.00	23.00
26	25.00	26.00	24.00
27	26.00	27.00	25.00
28	27.00	28.00	26.00
29	28.00	29.00	27.00
30	29.00	30.00	28.00
31	30.00	31.00	29.00
32	31.00	32.00	30.00
33	32.00	33.00	31.00
34	33.00	34.00	32.00
35	34.00	35.00	33.00
36	35.00	36.00	34.00
37	36.00	37.00	35.00
38	37.00	38.00	36.00
39	38.00	39.00	37.00
40	39.00	40.00	38.00

Recommended P.C.Board Layout  
 (Tolerance:±0.05)



### Ordering Information

G PCC201 - XX XX B XXX X 1 X X

Plastic specifications  
 1=Single row  
 2=Dual row  
 3=Tripe row  
 4=Quadruple

Water code

Positioning column information  
 A=No locating post  
 B=Round post  
 C=Square post

Pin length  
 See the drawing

Plating code  
 01=Tin  
 02=Gold Flash  
 22=Matte Tin

Insulator Material  
 R=Nylon(Halogen Free)  
 C=LCP

Color  
 1=Black  
 2=White  
 3=Yellow  
 E=Beige

Contact Material  
 A/S/K/T=Phosphor Bronze

Packing code  
 C=Tube  
 D=Tape&Reel  
 E=Cap+Tube  
 F=Cap+Tape&Reel

**东莞市溪榜电子有限公司**  
 DONG GUAN XI BANG ELECTRONICS CO., LTD.

GENERAL TOLERANCE	
X.*±5.0°	X.±0.30
.X*±3.0°	.X±0.25
.XX*±2.0°	.XX±0.15
.XXX*±1.0°	.XXX±0.10

DWG. NO.  
**XB-PZ-C-10-201**

PART NO.

TITLE.  
 1.00 PIN HEADER  
 DAUL ROWS SMT TYPE  
 CONNECTOR

REV. 01 UNIT. mm SCALE. 5:1 PAGE. 1/1

1 2 3 4 5 6 7 8 9