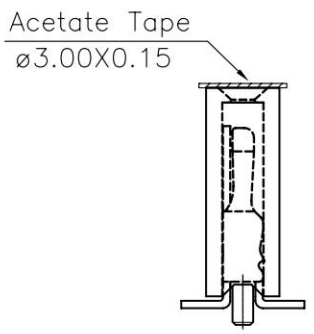
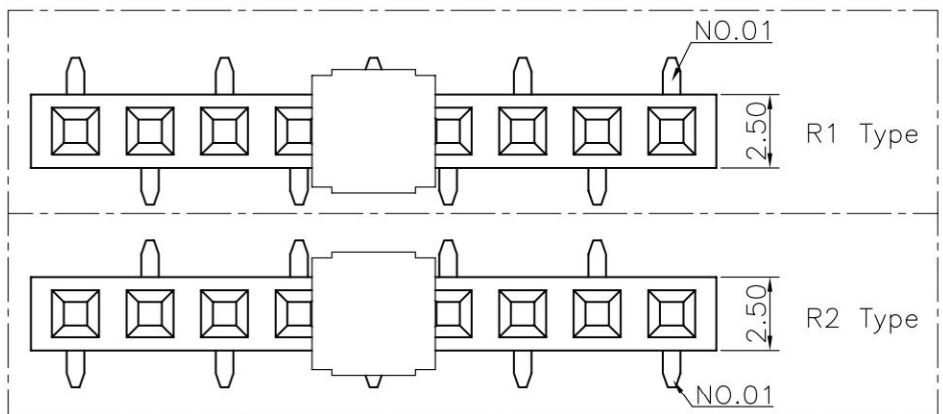


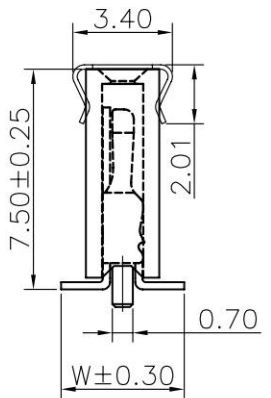
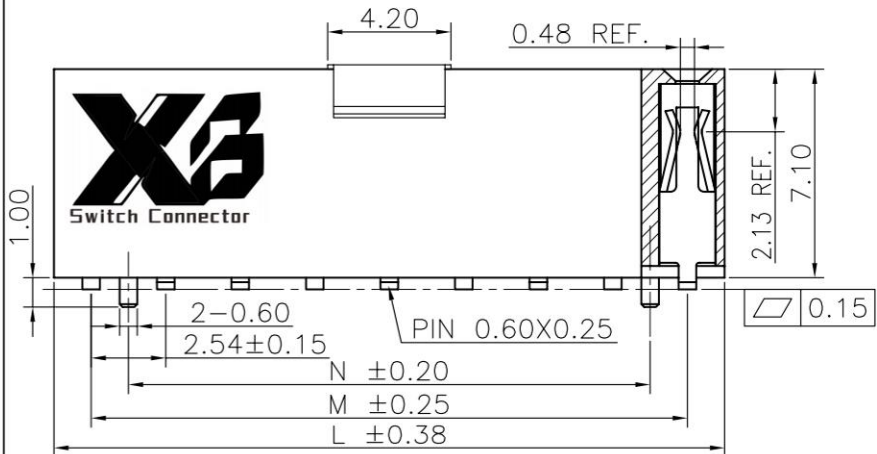
F



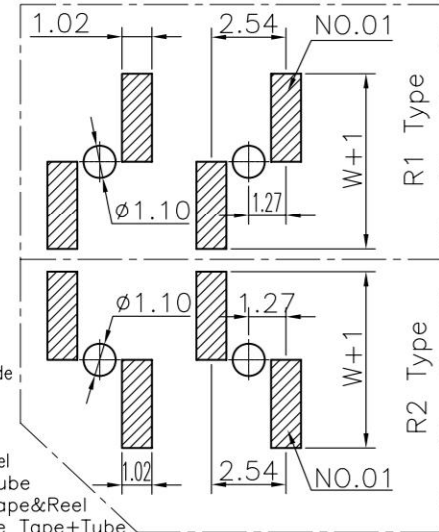
Specifications  
 Current Rating:3.0Amp  
 Insulation Resistance:1000MΩMin.  
 Dielectric Withstanding Voltage:600VAC  
 Contact Resistance:20mΩMax.  
 Operating Temperature:-40°C to +105°C  
 Materials  
 Contact Material:  
 Phosphor Bronze  
 Insulator Material:  
 Nylon(High temperature resistance),  
 LCP(High temperature resistance),  
 UL 94V-0  
 All materials must meet XI BANG  
 hazardous substances control standards.

E

D



Recommended P.C.Board  
 Layout  
 (Tolerance:±0.05)



No. of PIN/ROW	Dimension Information		
	M	L	N
03	5.08	7.62	2.54
04	7.62	10.16	5.08
05	10.16	12.70	7.62
06	12.70	15.24	10.16
07	15.24	17.78	12.70
08	17.78	20.32	15.24
09	20.32	22.86	17.78
10	22.86	25.40	20.32
11	25.40	27.94	22.86
12	27.94	30.48	25.40
13	30.48	33.02	27.94
14	33.02	35.56	30.48
15	35.56	38.10	33.02
16	38.10	40.64	35.56
17	40.64	43.18	38.10
18	43.18	45.72	40.64
19	45.72	48.26	43.18
20	48.26	50.80	45.72
21	50.80	53.34	48.26
22	53.34	55.88	50.80
23	55.88	58.42	53.34
24	58.42	60.96	55.88
25	60.96	63.50	58.42
26	63.50	66.04	60.96
27	66.04	68.58	63.50
28	68.58	71.12	66.04
29	71.12	73.66	68.58
30	73.66	76.20	71.12
31	76.20	78.74	73.66
32	78.74	81.28	76.20
33	81.28	83.82	78.74
34	83.82	86.36	81.28
35	86.36	88.90	83.82
36	88.90	91.44	86.36
37	91.44	93.98	88.90
38	93.98	96.52	91.44
39	96.52	99.06	93.98
40	99.06	101.60	96.52

### Ordering Information

**XB-PM-C-254-121**

Plastic specifications  
 1=Single row  
 2=Dual row  
 3=Tripe row  
 4=Quadruple

Water code

Positioning column information  
 A=No locating post  
 B=Round post  
 C=Square post

Pin length  
 See the drawing

Color  
 1=Black  
 2=White  
 3=Yellow  
 E=Beige

Contact Material  
 A/S/K/T=Phosphor Bronze

Packing code  
 A=Box  
 B=Tray  
 C=Tube  
 D=Tape&Reel  
 E=Cap+Tube  
 F=Cap+Tape&Reel  
 G=Acetate Tape+Tube  
 H=Acetate Tape+Tape&Reel

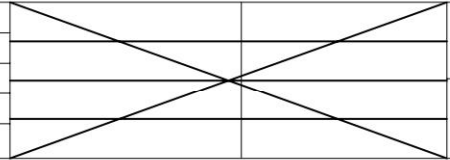
B

A

**XB** 东莞市溪榜电子有限公司  
 DONG GUAN XI BANG ELECTRONICS CO., LTD.

REV. 01 UNIT. mm SCALE. 4:1 PAGE. 1/1

GENERAL TOLERANCE	
X.*±5.0°	X.±0.30
.X*±3.0°	.X±0.25
.XX*±2.0°	.XX±0.15
.XXX*±1.0°	.XXX±0.10



DWG. NO.  
**XB-PM-C-254-121**

PART NO.  
**XB-PM-C-254-121**

TITLE.  
**2.54 FEMALE HEADER  
 SINGLE ROW SMT TYPE  
 CONNECTOR**