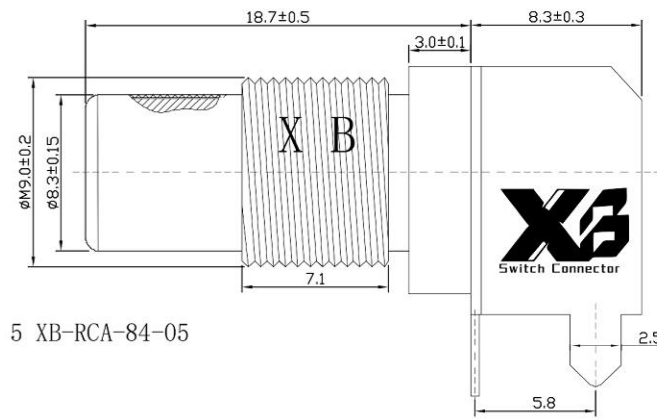
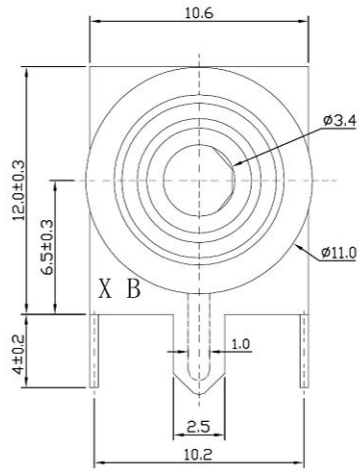
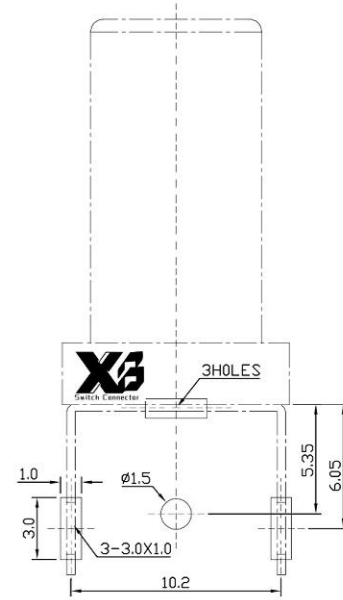
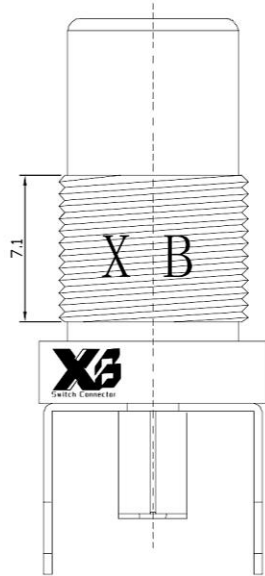
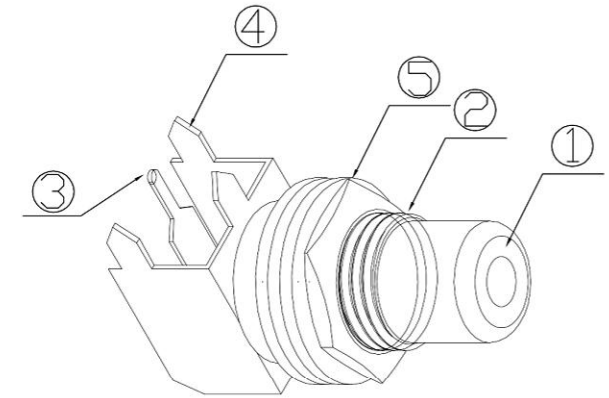
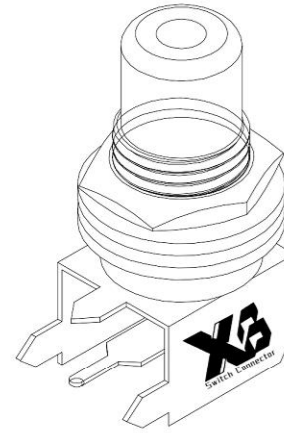


ROHS

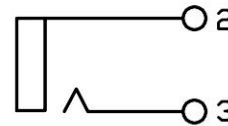


5 XB-RCA-84-05



T:1.6 Dimensions of PC board holes
Tolerance : ±0.1(Printed-sided view)

SCHEMATIC



技术要求:

使用温度范围: -40°C~70°C

额定负荷: DC50V 0.2A

接触电阻: ≤0.03Ω

绝缘电阻: ≥100MΩDC500V

耐压: AC500V(50HZ)/min

插拔力: 3~25N

寿命: 5000次

序号	零件图代号	名称	数量	材料	镀层/颜色
5	XB-RCA-84-05	螺帽	1PCS	H59黄铜	镀金1u"
4	XB-RCA-84-04	插针	1PCS	Qsn6.5-0.1t=0.3	镀金1u"
3	XB-RCA-84-03	插针	1PCS	H62 t=0.3	镀金1u"
2	XB-RCA-84-02	铜套	1PCS	H59 t=10	镀金1u"
1	XB-RCA-84-01	基座	1PCS	ABS	红/白/黑色



东莞市溪榜电子有限公司
DONG GUAN XI BANG ELECTRONICS CO., LTD

TITLE : AV RCA copper core socket

MODEL : XB-RCA-AV-84

UNIT	MM	DWN.	ZENQ. CHEN	DATE	TOLERANCE	ANGLE TOL
SCALE	2 : 1	CHK'D	DONG. PANG	DATE	<=1.5±0.1mm	±2°
VERSION	02	APPD.	FEI. LONG. HE	DATE	>1.5±0.2mm	
					>=10±0.3mm	

NO.	PART NAME	MATERIAL	QTY.	FINISHING
6	HOUSITNG	ABS	1	BLACK
5	SLEEVE	BRASS STRIP	3	Ni PLATED
4	WASHER	ABS	3	WHITE/RED/YELLOW/BLUE/GREEN
3	TERMINAL	BRASS STRIP t=0.4mm	3	Ag PLATED
2	CASE	PBT	1	BLACK
1	COVER	BRASS STRIP	1	Ni PLATED