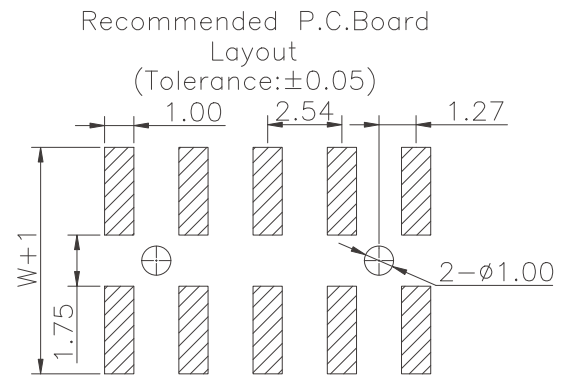
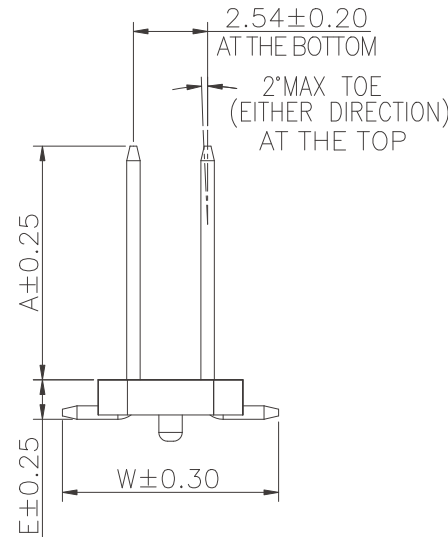
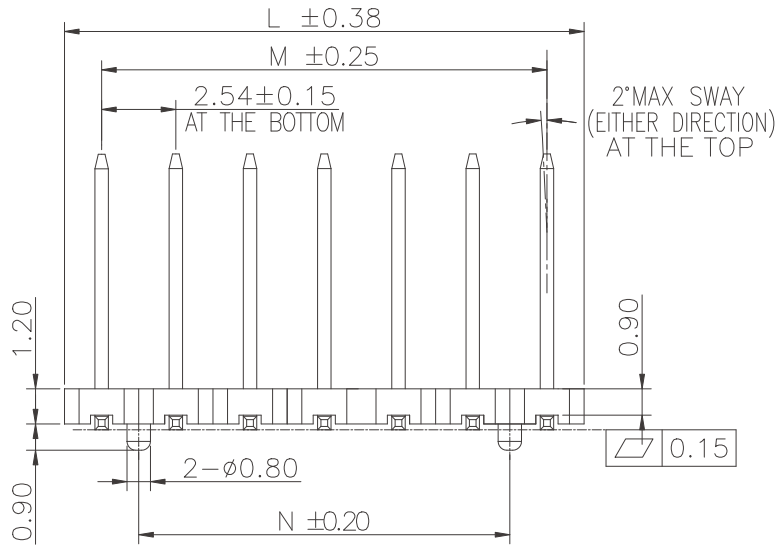


Specifications

Current Rating:3.0Amp  
 Insulation Resistance:1000MΩMin.  
 Dielectric Withstanding Voltage:600VAC  
 Contact Resistance:20mΩMax.  
 Operating Temperature:-40°C to +105°C  
 Materials  
 Contact Material:  
 Brass(Pin length less than 25mm)  
 Phosphor Bronze(The total length of pin is more than 25mm)  
 Insulator Material:  
 Nylon(High temperature resistance),  
 LCP(High temperature resistance),  
 UL 94V-0  
 All materials must meet Greenconn hazardous substances control standards.



Ordering Information  
 XB-PZ-C-254-213

Plastic specifications  
 1=Single row  
 2=Dual row  
 3=Tripe row  
 4=Quadruple

Water code

Positioning column information  
 A=No locating post  
 B=Round post  
 C=Square post

Pin length  
 See the drawing

Insulator Material  
 R=Nylon(Halogen Free)  
 C=LCP

Color  
 1=Black  
 2=White  
 3=Yellow  
 E=Beige

Packing code  
 A=Box  
 B=Tray  
 C=Tube  
 D=Tape&Reel  
 E=Cap+Tube  
 F=Cap+Tape&Reel  
 G=Acetate Tape+Tube  
 H=Acetate Tape+Tape&Reel

Plating code  
 01=Tin  
 02=Gold Flash  
 05=Gold Flash/Tin  
 22=Matte Tin

No. of Pins per Row  
 02~09

No. of PIN/ROW	Dimension Information		
	M	L	N
02	2.54	5.08	VIEW-1
03	5.08	7.62	VIEW-2
04	7.62	10.16	5.08
05	10.16	12.70	7.62
06	12.70	15.24	10.16
07	15.24	17.78	12.70
08	17.78	20.32	15.24
09	20.32	22.86	17.78

**东莞市溪榜电子有限公司**  
 DONG GUAN XI BANG ELECTRONICS CO., LTD.

REV. 01 UNIT. mm SCALE. 4:1 PAGE. 1/1

GENERAL TOLERANCE	
X.*±5.0°	X.±0.30
.X*±3.0°	.X±0.25
.XX*±2.0°	.XX±0.15
.XXX*±1.0°	.XXX±0.10

DWG. NO.  
 XB-PZ-C-254-213

PART NO.  
 XB-PZ-C-254-213

TITLE.  
 2.54mm PIN HEADER  
 DUAL ROW WITH POST  
 S.M.T TYPE

1 2 3 4 5 6 7 8 9

F

F

**Specifications**

Current Rating : 3.0 Ampere  
 Insulation Resistance : 1000 MΩ Min  
 Dielectric Withstanding : 600V AC  
 Contact Resistance : 20 mΩ Max  
 Operating Temperature : -40°C to +105°C



**Materials**

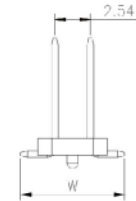
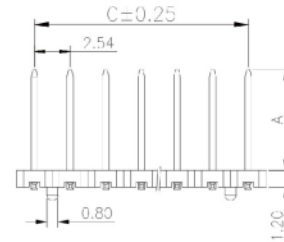
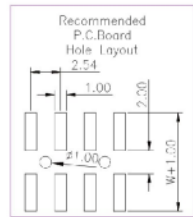
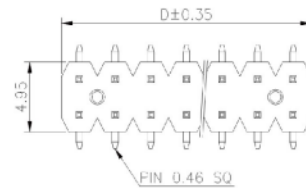
Contact Material : Brass  
 Insulation Material : High Temperature Thermoplastic, 94V-0 Nylon

All materials must meet Greenconn's requirements for environmental protection.

**Mating with**



F47



\* For Coded Dimension Not Inside The Table, Please Refer To "Ordering Information"

No. of Pins/Row	Dimension Information	
	C	D
02	2.54	5.08
03	5.08	7.62
04	7.62	10.16
05	10.16	12.70
06	12.70	15.24
07	15.24	17.78
08	17.78	20.32
09	20.32	22.86

A

A

**XB** 东莞市溪榜电子有限公司  
 DONG GUAN XI BANG ELECTRONICS CO., LTD.

REV. 01	UNIT. mm	SCALE. 5:1	PAGE. 1/1
---------	----------	------------	-----------

GENERAL TOLERANCE	
X. ±5.0'	X. ±0.30
.X' ±3.0'	.X ±0.25
.XX' ±2.0'	.XX ±0.15
.XXX' ±1.0'	.XXX ±0.10

DESIGN:	DATE:
CHECKED:	DATE:
AUD TED:	DATE:
APPROVED:	DATE:

DWG. NO.	XB-PZ-C-254-213
PART NO.	XB-PZ-C-254-213

TITLE:  
 2.00 FEMALE HEADER  
 SINGLE ROW DIP TYPE  
 BASE 4.30H

1 2 3 4 5 6 7 8 9