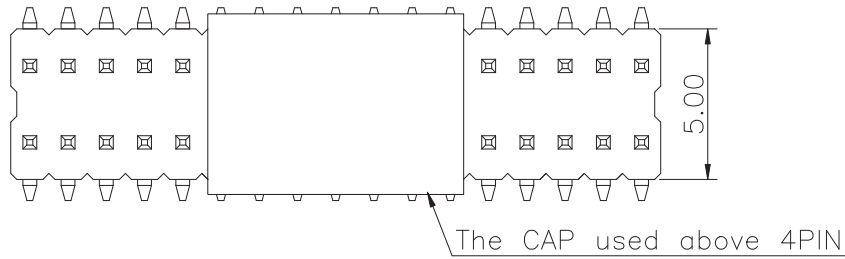
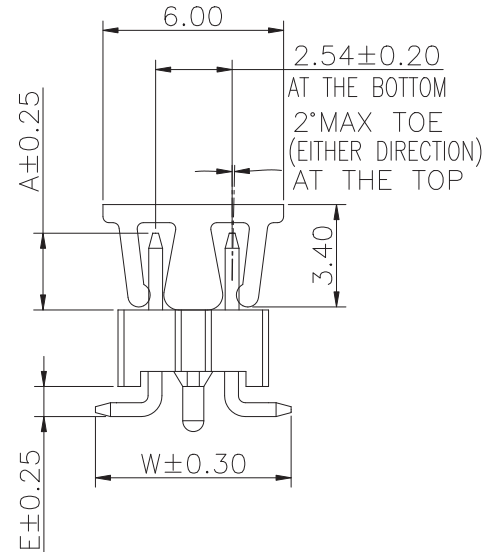
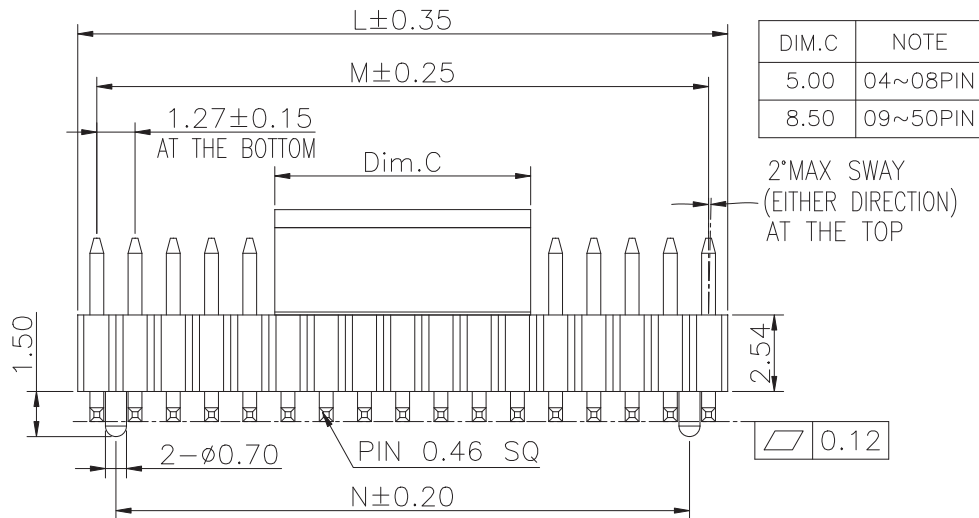
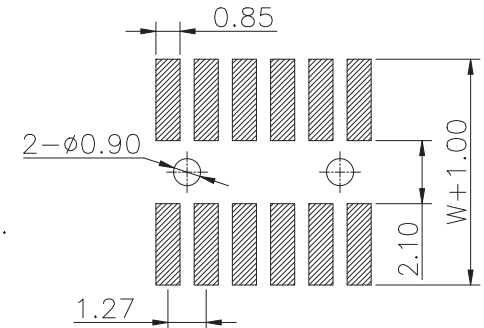


1 2 3 4 5 6 7 8 9



Specifications
 Current Rating:1.0Amp
 Insulation Resistance:1000MΩMin.
 Dielectric Withstanding Voltage:300VAC
 Contact Resistance:20mΩMax.
 Operating Temperature:-40°C to +105°C
 Materials
 Contact Material:Brass
 Insulator Material:High Temperature Thermoplastic, UL 94V-0 LCP or the equivalent material
 All materials must meet Greenconn hazardous substances control standards.

Recommended P.C.Board Layout
 (Tolerance:±0.05)



No. of PIN/ROW	Dimension Information			No. of PIN/ROW	Dimension Information		
	L	M	N		L	M	N
02	2.54	1.27	1.27	27	34.29	33.02	31.75
03	3.81	2.54	1.27	28	35.56	34.29	33.02
04	5.08	3.81	2.54	29	36.83	35.56	34.29
05	6.35	5.08	3.81	30	38.10	36.83	35.56
06	7.62	6.35	5.08	31	39.37	38.10	36.83
07	8.89	7.62	6.35	32	40.64	39.37	38.10
08	10.16	8.89	7.62	33	41.91	40.64	39.37
09	11.43	10.16	8.89	34	43.18	41.91	40.64
10	12.70	11.43	10.16	35	44.45	43.18	41.91
11	13.97	12.70	11.43	36	45.72	44.45	43.18
12	15.24	13.97	12.70	37	46.99	45.72	44.45
13	16.51	15.24	13.97	38	48.26	46.99	45.72
14	17.78	16.51	15.24	39	49.53	48.26	46.99
15	19.05	17.78	16.51	40	50.80	49.53	48.26
16	20.32	19.05	17.78	41	52.07	50.80	49.53
17	21.59	20.32	19.05	42	53.34	52.07	50.80
18	22.86	21.59	20.32	43	54.61	53.34	52.07
19	24.13	22.86	21.59	44	55.88	54.61	53.34
20	25.40	24.13	22.86	45	57.15	55.88	54.61
21	26.67	25.40	24.13	46	58.42	57.15	55.88
22	27.94	26.67	25.40	47	59.69	58.42	57.15
23	29.21	27.94	26.67	48	60.96	59.69	58.42
24	30.48	29.21	27.94	49	62.23	60.96	59.69
25	31.75	30.48	29.21	50	63.50	62.23	60.96
26	33.02	31.75	30.48				

Ordering Information

XB-PZ-C-127-201

- Plastic specifications: 1=Single row, 2=Dual row, 3=Tripe row, 4=Quadruple
- Water code: 01:H1=2.54, 03:H1=1.70
- Positioning column information: A=No locating post, B=Round post, C=Square post
- Pin length: See the drawing
- Color: 1=Black, 2=White, 3=Yellow, E=Beige
- Packing code: A=Box, B=Tray, C=Tube, D=Tape&Reel, E=Cap+Tube, F=Cap+Tape&Reel, G=Acetate Tape+Tube, H=Acetate Tape+Tape&Reel
- No. of Pins per Row: 02~50
- Plating code: 01=Tin, 02=Gold Flash, 05=Gold Flash/Tin, 22=Matte Tin
- Insulator Material: R=Nylon(Halogen Free), C=LCP
- Contact Material: A/S/K/T=Phosphor Bronze, B/Z/H/W=Brass

东莞市溪榜电子有限公司
 DONG GUAN XI BANG ELECTRONICS CO., LTD.

REV. 01 UNIT. mm SCALE. 4:1 PAGE. 1/1

GENERAL TOLERANCE	
X.*±5.0°	X.±0.30
.X*±3.0°	.X±0.25
.XX*±2.0°	.XX±0.15
.XXX*±1.0°	.XXX±0.10

DWG. NO.
XB-PZ-C-127-201
 PART NO.
XB-PZ-C-127-201

TITLE.
**1.27 PIN HEADER
 DUAL ROWS SMT TYPE
 CONNECTOR**

1 2 3 4 5 6 7 8 9

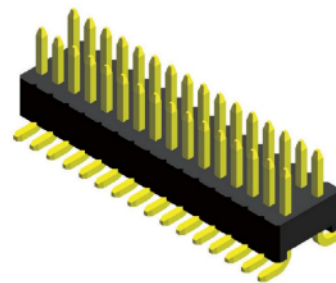
Specifications

Current Rating : 1.0 Ampere
 Insulation Resistance : 1000 MΩ Min
 Dielectric Withstanding : 300V AC
 Contact Resistance : 20 mΩ Max
 Operating Temperature : -40°C to +105°C

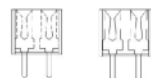
Materials

Contact Material : Brass
 Insulation Material : High Temperature Thermoplastic, 94V-0 LCP

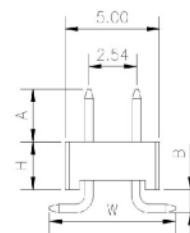
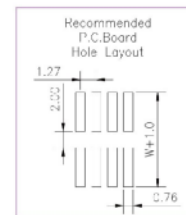
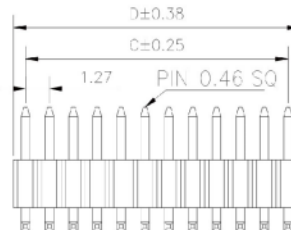
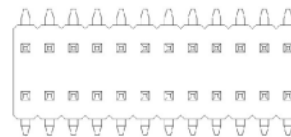
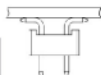
All materials must meet Greenconn's requirements for environmental protection.



Mating with



C33 C36



* For Coded Dimension Not Inside The Table, Please Refer To "Ordering Information"

No. of Pins/Row	Dimension Information		No. of Pins/Row	Dimension Information		No. of Pins/Row	Dimension Information		No. of Pins/Row	Dimension Information	
	C	D		C	D		C	D		C	D
02	1.27	2.54	11	12.70	13.97	21	25.40	26.67	31	38.10	39.37
03	2.54	3.81	12	13.97	15.24	22	26.67	27.94	32	39.37	40.64
04	3.81	5.08	13	15.24	16.51	23	27.94	29.21	33	40.64	41.91
05	5.08	6.35	14	16.51	17.78	24	29.21	30.48	34	41.91	43.18
06	6.35	7.62	15	17.78	19.05	25	30.48	31.75	35	43.18	44.45
07	7.62	8.89	16	19.05	20.32	26	31.75	33.02	36	44.45	45.72
08	8.89	10.16	17	20.32	21.59	27	33.02	34.29	37	45.72	46.99
09	10.16	11.43	18	21.59	22.86	28	34.29	35.56	38	46.99	48.26
10	11.43	12.70	19	22.86	24.13	29	35.56	36.83	39	48.26	49.53
			20	24.13	25.40	30	36.83	38.10	40	49.53	50.80

XB 东莞市溪榜电子有限公司
 DONG GUAN XI BANG ELECTRONICS CO., LTD.

REV. 01 UNIT. mm SCALE. 5:1 PAGE. 1/1

GENERAL TOLERANCE	
X. ± 5.0'	X. ± 0.30
.X' ± 3.0'	.X ± 0.25
.XX' ± 2.0'	.XX ± 0.15
.XXX' ± 1.0'	.XXX ± 0.10

DESIGN:	DATE:
CHECKED:	DATE:
AUD TED:	DATE:
APPROVED:	DATE:

DWG. NO. XB-PZ-C-127-201
 PART NO. XB-PZ-C-127-201

TITLE. 2.00 FEMALE HEADER SINGLE ROW DIP TYPE BASE 4.30H