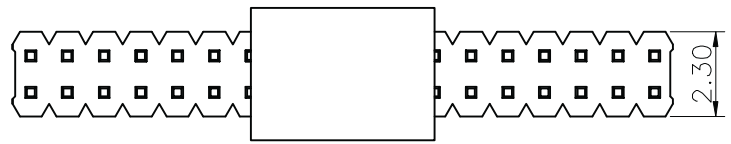


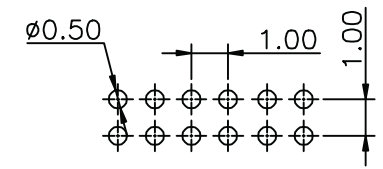
1 2 3 4 5 6 7 8 9

F

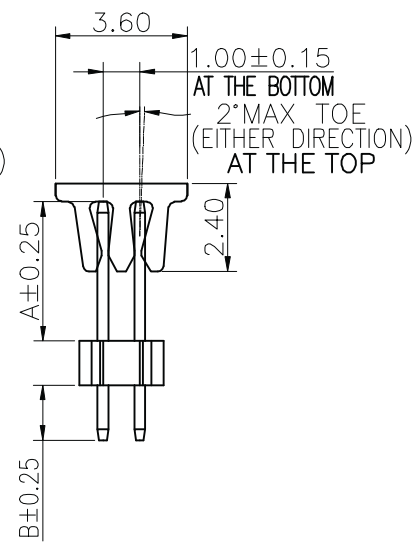
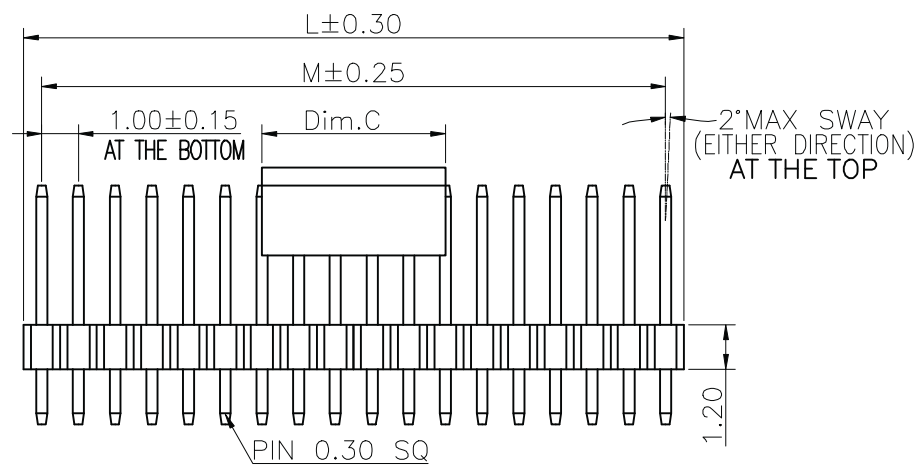


Specifications  
 Current Rating:1.0Amp  
 Insulation Resistance:1000MΩMin.  
 Dielectric Withstanding Voltage:300VAC  
 Contact Resistance:20mΩMax.  
 Operating Temperature:-40°C to +105°C  
 Materials  
 Contact Material:Phosphor Bronze  
 Insulator Material:High Temperature Thermoplastic, UL 94V-0 LCP or the equivalent material  
 All materials must meet GREENCONN hazardous substances control standards.

Recommended P.C.Board Layout  
 (Tolerance:±0.05)



E



Dim.C	NOTE
3.00mm	03~04Pins
5.00mm	05~40Pins

No. of PIN/ROW	Dimension Information	
	M	L
02	1.00	2.00
03	2.00	3.00
04	3.00	4.00
05	4.00	5.00
06	5.00	6.00
07	6.00	7.00
08	7.00	8.00
09	8.00	9.00
10	9.00	10.00
11	10.00	11.00
12	11.00	12.00
13	12.00	13.00
14	13.00	14.00
15	14.00	15.00
16	15.00	16.00
17	16.00	17.00
18	17.00	18.00
19	18.00	19.00
20	19.00	20.00
21	20.00	21.00
22	21.00	22.00
23	22.00	23.00
24	23.00	24.00
25	24.00	25.00
26	25.00	26.00
27	26.00	27.00
28	27.00	28.00
29	28.00	29.00
30	29.00	30.00
31	30.00	31.00
32	31.00	32.00
33	32.00	33.00
34	33.00	34.00
35	34.00	35.00
36	35.00	36.00
37	36.00	37.00
38	37.00	38.00
39	38.00	39.00
40	39.00	40.00

D

C

Ordering Information  
 XB-PZ-A-10-201

Plastic specifications  
 1=Single row  
 2=Dual row  
 3=Tripe row  
 4=Quadruple

Water code

No. of Pins per Row  
 02~40

Positioning column information  
 A=No locating post  
 B=Round post  
 C=Square post

Plating code  
 01=Tin  
 02=Gold Flash  
 22=Matte Tin

Pin length  
 See the drawing

Insulator Material  
 R=Nylon(Halogen Free)  
 C=LCP

Color  
 1=Black  
 2=White  
 3=Yellow  
 E=Beige

Contact Material  
 A/S/K/T=Phosphor Bronze

Packing code  
 A=Box  
 C=Tube  
 D=Tape&Reel  
 E=Cap+Tube  
 F=Cap+Tape&Reel

B

A

**东莞市溪榜电子有限公司**  
 DONG GUAN XI BANG ELECTRONICS CO., LTD.

GENERAL TOLERANCE	
X.'±5.0'	X.±0.30
.X'±3.0'	.X±0.25
.XX'±2.0'	.XX±0.15
.XXX'±1.0'	.XXX±0.10

DWG. NO.  
 XB-PZ-A-10-201

PART NO.  
 XB-PZ-A-10-201

TITLE.  
 1.00 PIN HEADER  
 DUAL ROW DIP TYPE  
 CONNECTOR

REV. 01	UNIT. mm	SCALE. 5:1	PAGE. 1/1	
---------	----------	------------	-----------	--

1 2 3 4 5 6 7 8 9

F

E

D

C

B

A