

F

E

D

C

B

A

F

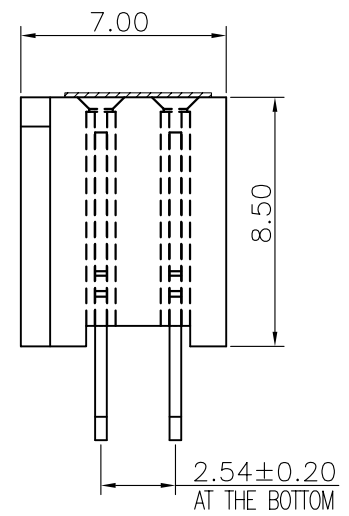
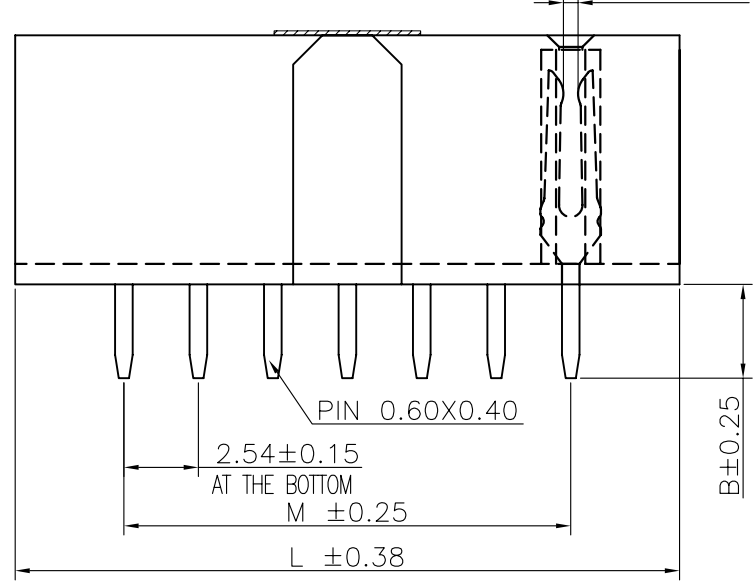
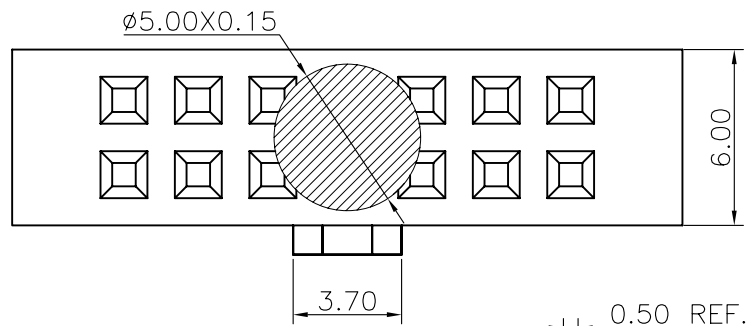
E

D

C

B

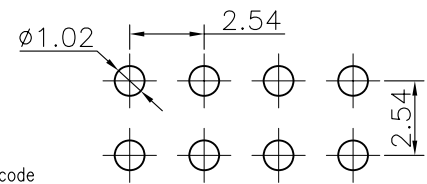
A



Specifications
 Current Rating:3.0Amp
 Insulation Resistance:1000MΩMin.
 Dielectric Withstanding Voltage:600VAC
 Contact Resistance:20mΩMax.
 Operating Temperature:-40°C to +105°C
 Materials
 Contact Material:
 Phosphor Bronze
 Insulator Material:
 PBT(Not resistant to high temperature),
 Nylon(High temperature resistance),
 LCP(High temperature resistance),
 UL 94V-0
 All materials must meet Greenconn
 hazardous substances control standards.

No. of PIN/ROW	Dimension Information	
	M	L
03	5.08	12.50
04	7.62	15.04
05	10.16	17.58
06	12.70	20.12
07	15.24	22.66
08	17.78	25.20
09	20.32	27.74
10	22.86	30.28
11	25.40	32.82
12	27.94	35.36
13	30.48	37.90
14	33.02	40.44
15	35.56	42.98
16	38.10	45.52
17	40.64	48.06
18	43.18	50.60
19	45.72	53.14
20	48.26	55.68
21	50.80	58.22
22	53.34	60.76
23	55.88	63.30
24	58.42	65.84
25	60.96	68.38
26	63.50	70.92
27	66.04	73.46
28	68.58	76.00
29	71.12	78.54
30	73.66	81.08
31	76.20	83.62
32	78.74	86.16
33	81.28	88.70
34	83.82	91.24
35	86.36	93.78
36	88.90	96.32

Recommended P.C.Board Layout
 (Tolerance:±0.05)



Ordering Information

XB-PM-A-254-217

- Plastic specifications
 1=Single row
 2=Dual row
 3=Tripe row
 4=Quadruple
- Water code
- No. of Pins per Row 03~36
- Positioning column information
 A=No locating post
 B=Round post
 C=Square post
- Plating code
 01=Tin
 02=Gold Flash
 05=Gold Flash/Tin
 22=Matte Tin
- Pin length
 See the drawing
- Insulator Material
 A=PBT
 R=Nylon(Halogen Free)
 C=LCP
- Color
 1=Black
 2=White
 3=Yellow
 E=Beige
- Contact Material
 A/S/K/T=Phosphor Bronze
- Packing code
 A=Box
 B=Tray
 C=Tube
 D=Tape&Reel
 E=Cap+Tube
 F=Cap+Tape&Reel
 G=Acetate Tape+Tube
 H=Acetate Tape+Tape&Reel

东莞市溪榜电子有限公司
 DONG GUAN XI BANG ELECTRONICS CO., LTD.
 Switch Connector

GENERAL TOLERANCE	
X.*±5.0°	X.±0.30
.X*±3.0°	.X±0.25
.XX*±2.0°	.XX±0.15
.XXX*±1.0°	.XXX±0.10

DWG. NO.	XB-PM-A-254-217
PART NO.	XB-PM-A-254-217

TITLE:
 2.54 FEMALE HEADER
 DUAL ROWS DIP TYPE
 CONNECTOR

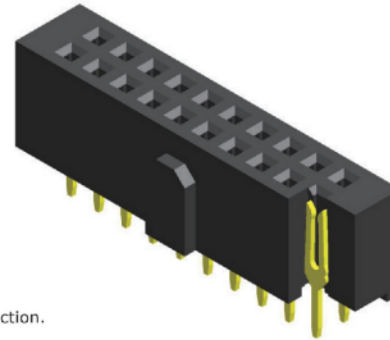
REV.	UNIT.	SCALE.	PAGE.	
01	mm	4:1	1/1	

1 2 3 4 5 6 7 8 9

F

Specifications

Current Rating : 3.0 Ampere
 Insulation Resistance : 1000 MΩ Min
 Dielectric Withstanding : 600V AC
 Contact Resistance : 20 mΩ Max
 Operating Temperature : -40°C to +105°C



F

E

Materials

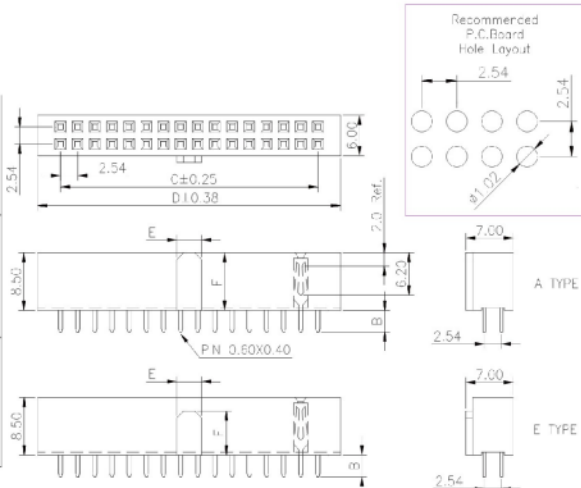
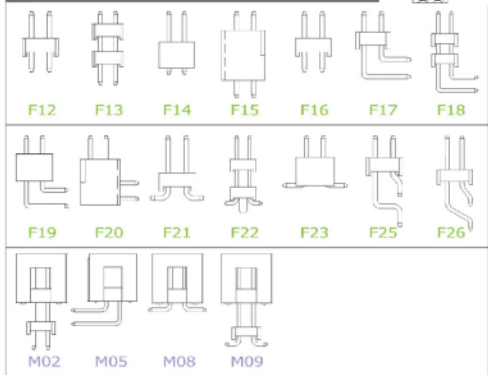
Contact Material : Phosphor Bronze
 Insulation Material : High Temperature Thermoplastic, 94V-0 PBT

All materials must meet Greennconn's requirements for environmental protection.

E

D

Mating with



D

C

P.S. : Suggested mating pin length : 4.0 ~ 6.0 mm

* For Coded Dimension Not Inside The Table, Please Refer To "Ordering Information"

C

B

No. of Pins/Row	Dimension Information		No. of Pins/Row	Dimension Information		No. of Pins/Row	Dimension Information		No. of Pins/Row	Dimension Information	
	C	D		C	D		C	D		C	D
			11	25.40	28.44	21	50.80	53.84	31	76.20	79.24
			12	27.94	30.98	22	53.34	56.38	32	78.74	81.78
			13	30.48	33.52	23	55.88	58.92	33	81.28	84.32
04	7.62	10.66	14	33.02	36.06	24	58.42	61.46	34	83.82	86.86
05	10.16	13.20	15	35.56	38.60	25	60.96	64.00	35	86.36	89.40
06	12.70	15.74	16	38.10	41.14	26	63.50	66.54	36	88.90	91.94
07	15.24	18.28	17	40.64	43.68	27	66.04	69.08			
08	17.78	20.82	18	43.18	46.22	28	68.58	71.62			
09	20.32	23.36	19	45.72	48.76	29	71.12	74.16			
10	22.86	25.90	20	48.26	51.30	30	73.66	76.70			

B

A

东莞市溪榜电子有限公司 DONG GUAN XI BANG ELECTRONICS CO., LTD. Switch Connector	GENERAL TOLERANCE		DESIGN:	DATE:	DWG. NO. XB-PM-A-254-217	TITLE. 2.00 FEMALE HEADER SINGLE ROW DIP TYPE BASE 4.30H
	REV. 01	UNIT. mm				
				AUDITED:	DATE:	PART NO. XB-PM-A-254-217
				APPROVED:	DATE:	

A

1 2 3 4 5 6 7 8 9