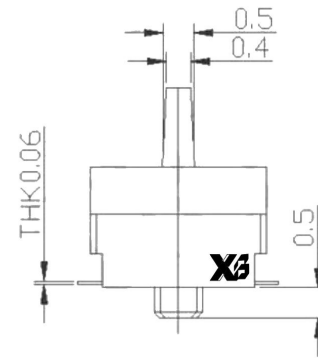
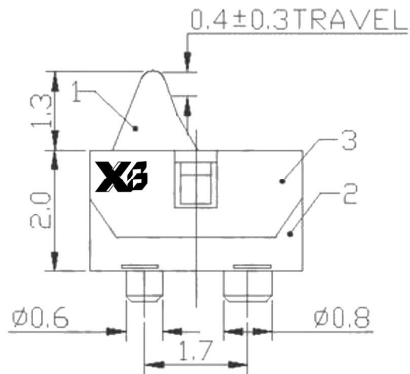


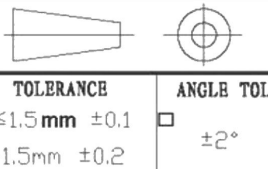
SCHEMATIC



东莞市溪榜电子有限公司
DONG GUAN XI BANG ELECTRONICS CO., LTD

TITLE : MICRO SWITCH

MODEL : MX-122 (G) (W238)



UNIT : MM	DWN.	DATE	
SCALE : 8 : 1	CHK'D	DATE	
VERSION	01	APPD.	DATE

5	PATTERN	PBS STIRP T=0.04	1	Ag PLATBD
4	TERMINAL	BRASS STRIP	4	Ag /NiPLATBD
3	CASE	NYLON	1	BLACK
2	COVER	NYLON	1	BLACK
1	BAR	NYLON	1	BLACK
NO.	PART NAME	MATERIAL	QTY	FINISHING