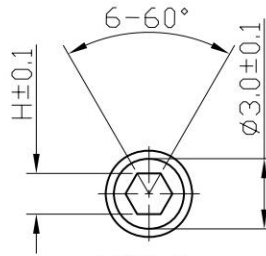
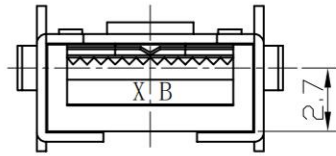
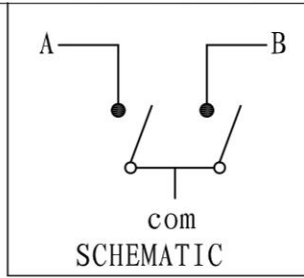


ROHS

Shaft hole shape and dimension
 Shaft hole position will be at random



VIEW: I
 SCALE: 1: 1

(P.C.B thickness t=1.6mm)

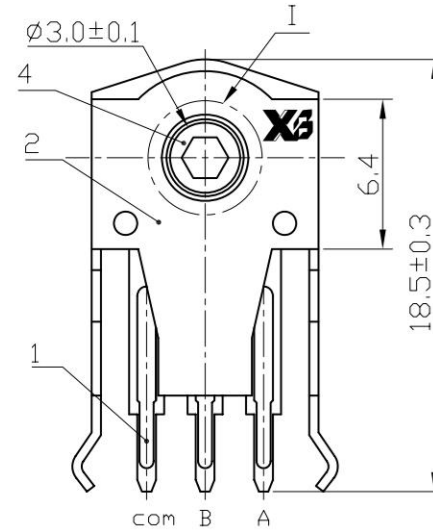
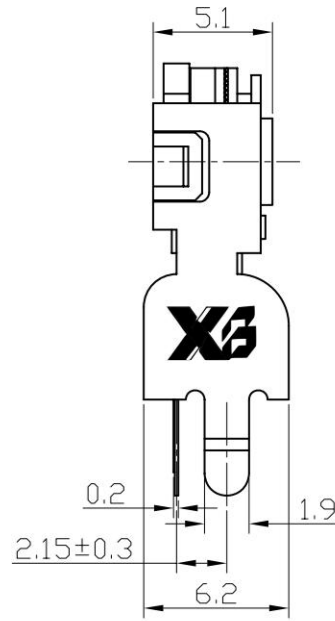
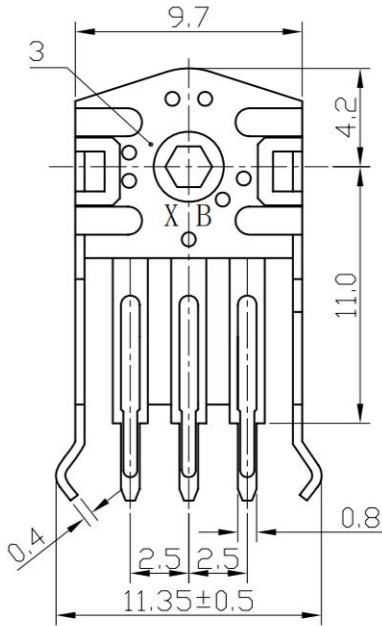
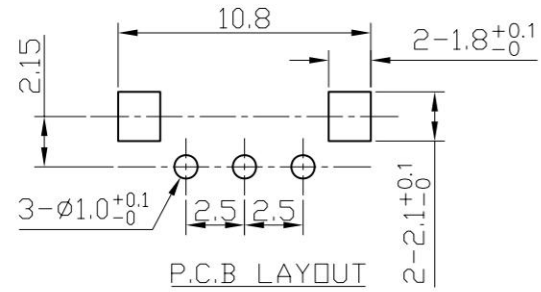


table 1

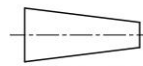
Model No.	Revolving Wheel Colour	H
EN001-B	Blue	1.69
EN001-R	Red	1.74
EN001-G	Green	2.00
EN001-Gr	Gray	1.76
EN001-Y	Yellow	1.67



东莞市溪榜电子有限公司
 DONG GUAN XI BANG ELECTRONICS CO.,LTD

TITLE : ENCODER

MODEL : EN001 (W271)



TOLERANCE
 <= 1.5mm ±0.1
 > 1.5mm ±0.2
 >=5.0mm ±0.3

ANGLE TOL
 ±3°

UNIT	MM	DWN.	DATE						
SCALE	3 : 1	CHK'D	DATE						
VERSION	01	APPD.	DATE						
NO.		PART NAME				MATERIAL		QTY.	FINISHING

6	SPRING	SUS	1	NATURE
5	CONTACT	PBS STRIP	1	NATURE
4	Revoling Wheel	POM	1	SEE TABLE 1
3	CASE	PBT	1	BLACK
2	FIRE	IRON STRIP	1	Ni PLATED
1	TERMINAL	BRASS STRIP	3	Ag PLATED