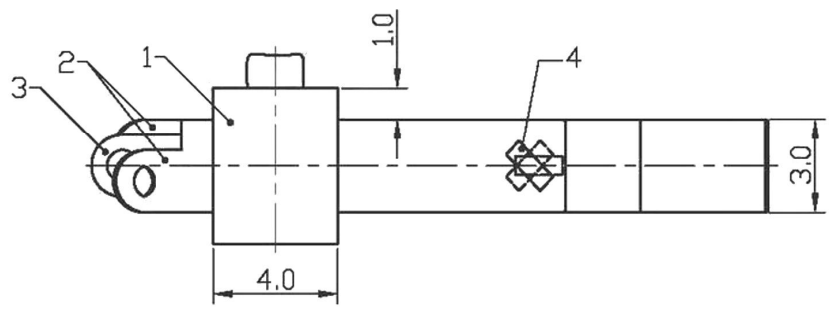
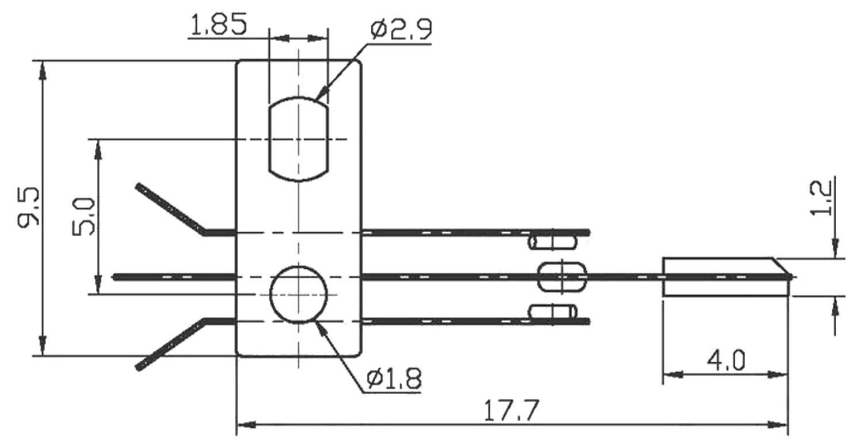
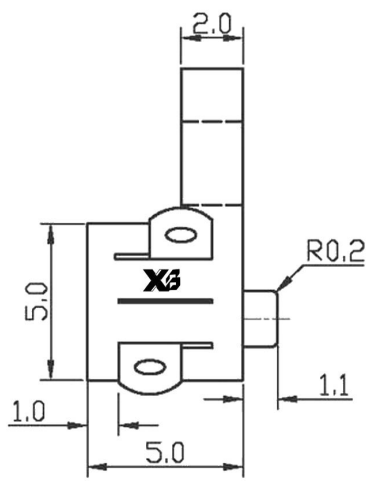
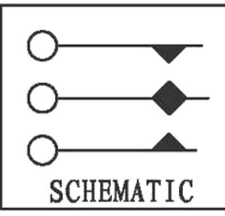


ROHS



Product material

- 1. Blade switch
- 2. Base: POM/PA66
- 3. Terminal: Phosphorus copper
- 4. Contact point: Purple copper
- 5. Electroplating: Silver/Gold Plating
- 6. Temperature range for use: $-10\text{ }^{\circ}\text{C} \pm 60\text{ }^{\circ}\text{C}$
- 7. Current and voltage: 0.5A 12V DC
- 8. Operating force: 30GF \pm 10GF
- 9. Voltage withstand: 500V 0.5mA/min
- 10. Insulation resistance: 100M Ω
- 11. Contact resistance: 30M Ω
- 12. Lifetime: 50000 times

The material contained in this drawing is the property of XiBang. Any use other than that specifically authorized by XiBang is prohibited. The above drawing IS subjected to change for improvement without prior notice.

		<p>东莞市溪榜电子有限公司 DONG GUAN XI BANG ELECTRONICS CO., LTD</p>								
		TITLE : LEAF SWITCH								
MODEL : LF-338 (W231)				<p>TOLERANCE $\leq 1.5\text{mm} \pm 0.1$ $> 1.5\text{mm} \pm 0.2$ $> 10\text{mm} \pm 0.3$</p>		<p>ANGLE TOL $\pm 2^{\circ}$</p>				
UNIT : MM	DWN.		DATE			4 CONTACT POINT	PBS STRIP	3	Ag PLATED	
SCALE : 3 : 1	CHK'D		DATE			3 SPRING PLATE B	PBS STRIP	1	Ag PLATED	
VBRSION	01	APPD.	DATE			2 SPRING PLATE A	PBS STRIP	2	Ag PLATED	
						1 CASE	POM	2	BLACK	
						NO.	PART NAME	MATERIAL	QTY.	FINISHING