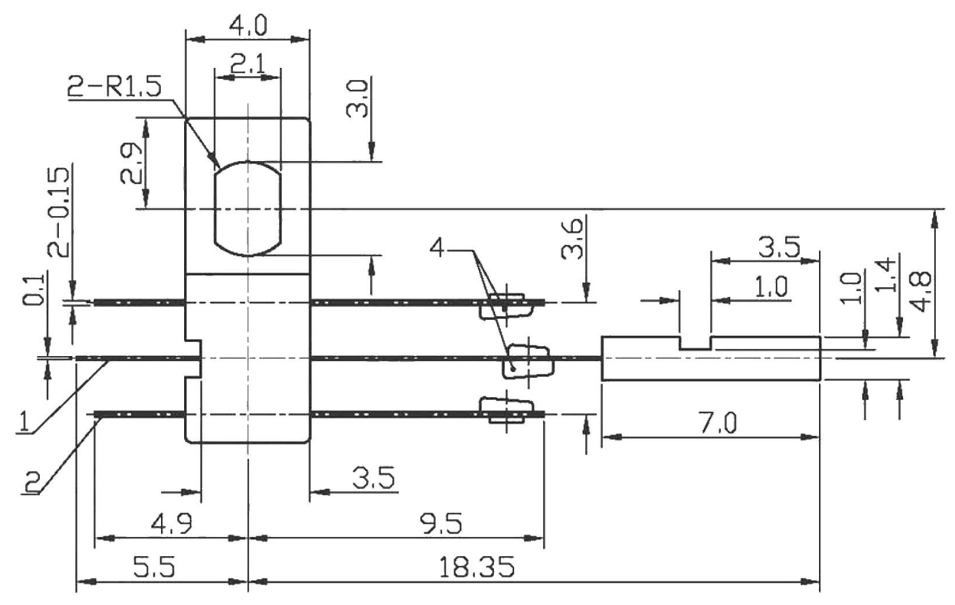
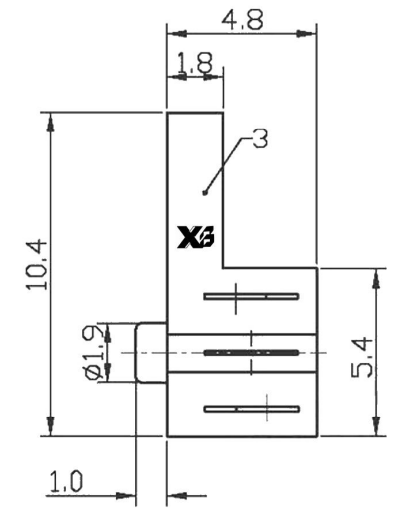
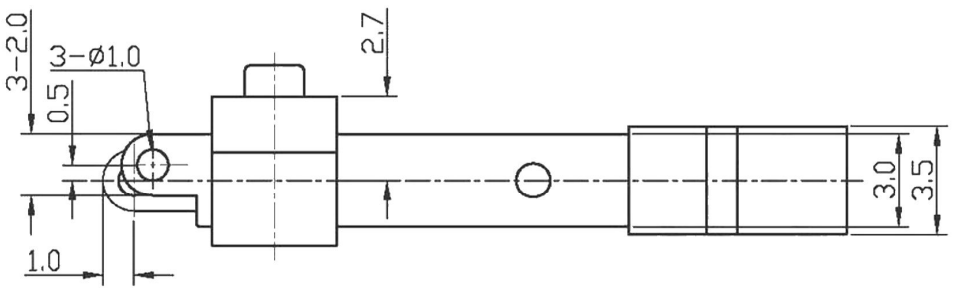
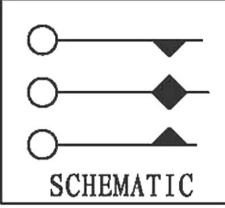


**ROHS**



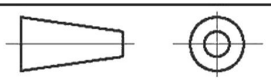
Product material

- 1. Blade switch
- 2. Base: POM/PA66
- 3. Terminal: Phosphorus copper
- 4. Contact point: Purple copper
- 5. Electroplating: Silver/Gold Plating
- 6. Temperature range for use:  $-10\text{ }^{\circ}\text{C} \pm 60\text{ }^{\circ}\text{C}$
- 7. Current and voltage: 0.5A 12V DC
- 8. Operating force: 30GF  $\pm$  10GF
- 9. Voltage withstand: 500V 0.5mA/min
- 10. Insulation resistance: 100M  $\Omega$
- 11. Contact resistance: 30M  $\Omega$
- 12. Lifetime: 50000 times

The material contained in this drawing is the property of XiBang. Any use other than that specifically authorized by XiBang is prohibited. The above drawing is subjected to change for improvement without prior notice.



TITLE : LF LEAF SWITCH  
MODEL : LF-337



UNIT : MM	DWN.	DATE	
SCALE : 3 : 1	CHK'D	DATE	
VERSION	01	APPD.	DATE

TOLERANCE  
 $\leq 1.5\text{mm} \pm 0.1$   
 $> 1.5\text{mm} \pm 0.2$   
 $> 10.0\text{mm} \pm 0.3$

ANGLE TOL  
 $\pm 2^{\circ}$

NO.	PART NAME	MATERIAL	QTY.	FINISHING
4	CONTACT POINT	PBS STRIP	3	Ag PLATED
3	CASE	POM	2	BLACK
2	SPRING PLATE B	BeCu	2	Ag PLATED
1	SPRING PLATE A	BeCu	1	Ag PLATED