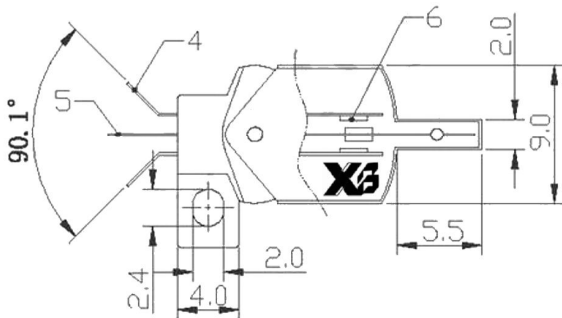
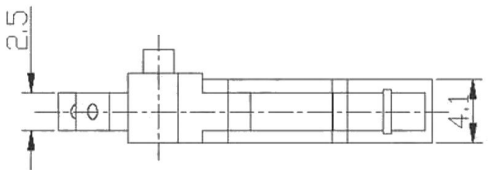
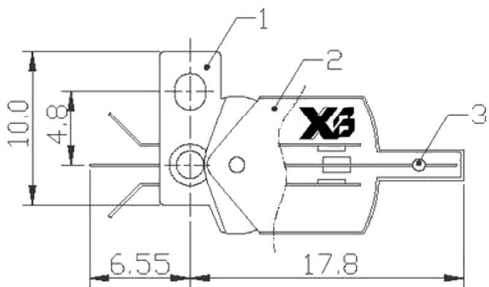
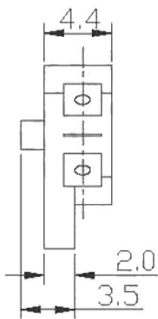


ROHS



SCHEMATIC



Product material

- 1. Blade switch
- 2. Base: POM/PA66
- 3. Terminal: Phosphorus copper
- 4. Contact point: Purple copper
- 5. Electroplating: Silver/Gold Plating
- 6. Temperature range for use: -10 °C ± 60 °C
- 7. Current and voltage: 0.5A 12V DC
- 8. Operating force: 30GF ± 10GF
- 9. Voltage withstand: 500V 0.5mA/min
- 10. Insulation resistance: 100M Ω
- 11. Contact resistance: 30M Ω
- 12. Lifetime: 50000 times

The material contained in this drawing is the property of XiBang. Any use other than that specifically authorized by XiBang is prohibited. The above drawing IS subjected to change for improvement without prior notice.



东莞市溪榜电子有限公司
DONG GUAN XI BANG ELECTRONICS CO., LTD

TITLE : LEAF SWITCH
MODBL : LF-045 (W095)



UNIT : MM	DWN.	DATE	TOLERANCE	ANGLE TOL
SCALE : 2 : 1	CHK'D	DATE	<= 1.5mm ±0.1	±2°
VERSION 01	APPD.	DATE	> 1.5mm ±0.2	

6	CONTACT POINT	COPPER	4	Ag PLATED
5	SPUING PLATE	PBS STRIP t=0.1mm	1	Ag PLATED
4	SPUING PLATE	PBS STRIP t=0.15mm	2	Ag PLATED
3	BAR	POM	1	BLACK
2	COVER	PC	1	CLBAR
1	CASE	POM	1	BLACK
NO.	PART NAME	MATERIAL	QTY.	FINISHING