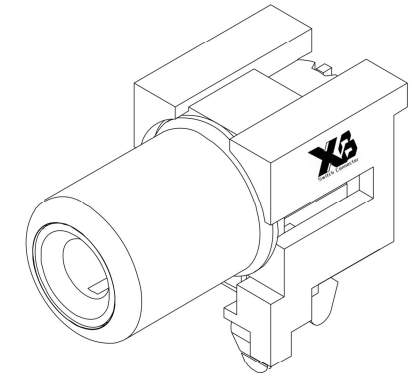


CIRCUIT DIAGRAM

COLOR TYPE	
P/N	A
R:	RED
K:	BLACK
Y:	YELLOW
W:	WHITE
G:	GREEN
B:	BLUE
O:	ORANGE



PCB HOLES DIAGRAM  
BOTTOM VIEW

NO.	PART NAME	TER.NO.	QTY	MATERIAL	REMARK
3	TERMINAL	1		H62	Sn-Plated
2	OUTER CONTACT	1		H65	Sn-Plated
1	HOUSING	1		PBT	

DRAWN BY:	DATE	MAT'L	TITLE	JACK
Jack Lu	08/18/14			
CHECKED BY:	DATE	FINISH	MODLE	RCA JACK
Jacky Chen	08/18/14			
APPROVED BY:	DATE	SCALE	DWG NO.	RCA-103-x-S147
Tony Kao	08/18/14	1 : 1		
		SHEET NO.	PART NO.	RCA-103-x-S147
		1 of 1		
				SIZE
				M
				VER
				R5

**XB** 东莞市溪榜电子有限公司  
DONG GUAN XI BANG ELECTRONICS CO., LTD.

TOLERANCE UNLESS OTHERWISE STATED:  
Up to 5 ±0.2  
Above 5 ~ 15 ±0.3  
Above 15 ~ 30 ±0.4  
Above 30 ~ 50 ±0.5  
Angle ±0.3

3RD. ANGEL'S

UNITS MM

ITEM NO.	DESCRIPTION	DRAWN	DATE
5	更新材質及鍍層	Jack	081814
4	新增pcb中定位柱尺寸	Jack	122713
3	更新材質	Jack	041613
2	圖面更新	Jack	122512
1	圖面更新	FrankWu	120111