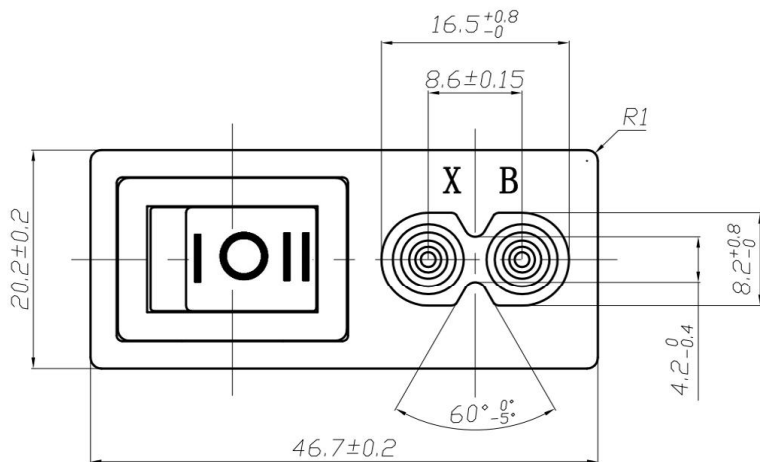
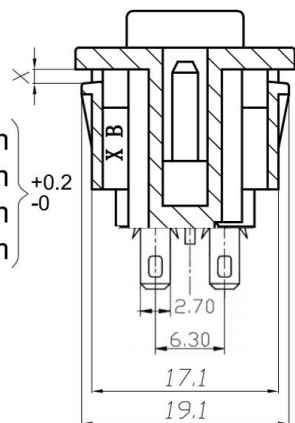


CAD FILE:

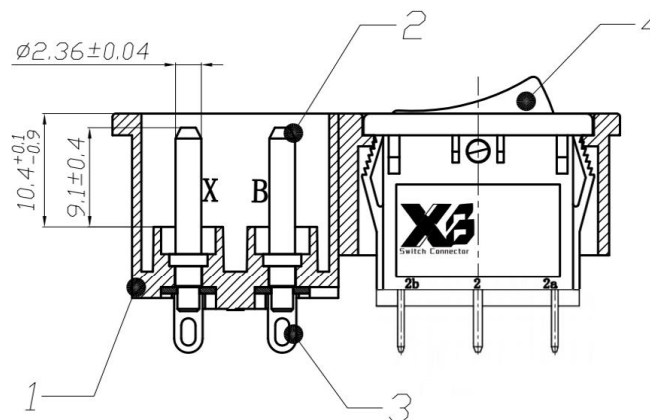
ROHS



X1=1.0mm
X2=1.5mm
X3=2.0mm
X4=2.5mm



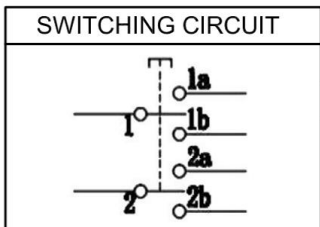
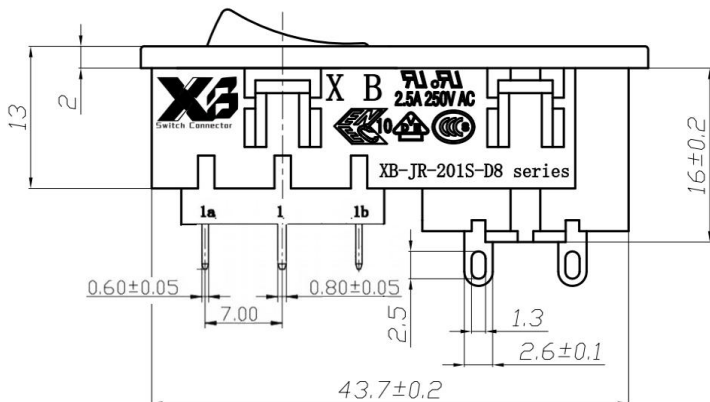
SECTION B~B



SECTION A~A

X1=1.0mm
X2=1.5mm
X3=2.0mm
X4=2.5mm

PANEL CUT-OUT



规格 SPECIFICATION

- 1.额定值 RATING: 2.5A 250VAC
- 2.绝缘电阻 INSULATION RESISTANCE: $\geq 100M\Omega$ (DC500V/1MIN)
- 3.介电强度 DIELECTRIC STRENGTH: 2000V /0.5mA /1MIN
- 4.工作温度 OPERATING TEMPERATURE: -25°C TO +85°C(MAX)
- 5.端子浸焊条件 DIP SOLDERING: 265°C, 3S



编号	零件名称	数量	材质说明
1	Body	1	PA
2	Pin	2	Brass Alloy,Ni-Plated
3	Terminal	2	Brass Alloy,Tin-Plated
4	Switches	1	Double Pole

NO.	PARTS	MATERIALS	Q'TY	FINISH	TOLERANCE UNLESS SPECIFIED	DATE	DESCRIPTIONS OF REVISION	APPD.
8					WITHIN 1.5mm : ±0.1mm	2012-9-25	初版	ZENQ. CHEN
7					OVER 1.5mm : ±0.2mm	ISSUE		
6					TITLE : AC POWER SOKET			
5					UNIT : mm		DRWG NO.: XB-JR-201S-D8-3T6P	
4	CONTACT	SUS	1	Ag CLAD	MODEL: XB-JR-201S-D8-3T6P		SCALE: 5:1	DWN. JUN. YANG 2012-9-25
3	CASE	PPA/BRASS SRTIP	1	BLACK/Ag PLATED	DONG GUAN XI BANG ELECTRONI CS CO., LTD.		CHK'D DONG. PANG 2012-9-25	
2	COVER	STEEL STRIP	1	Ni PLATED	APPD. ZENQ. CHEN 2012-9-25			
1	KNOB	PPA	1	BLACK				