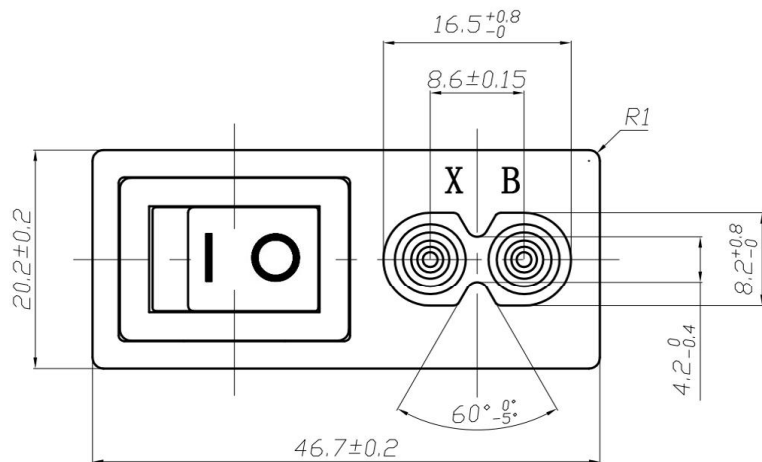
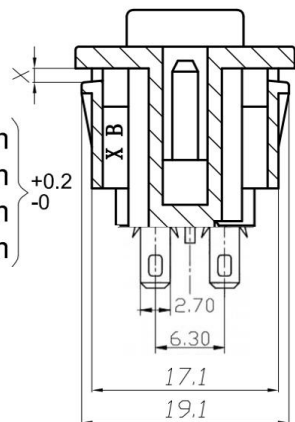


CAD FILE:

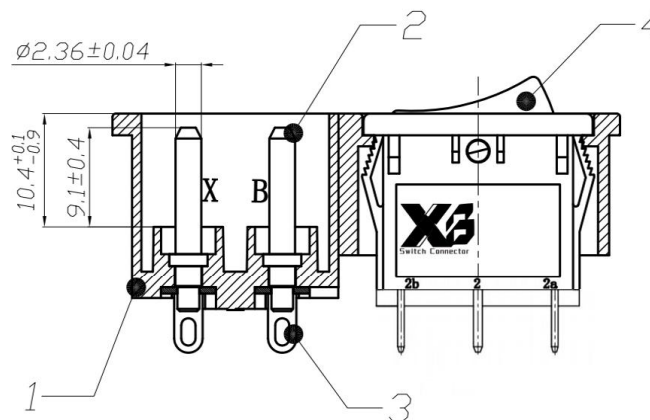
ROHS



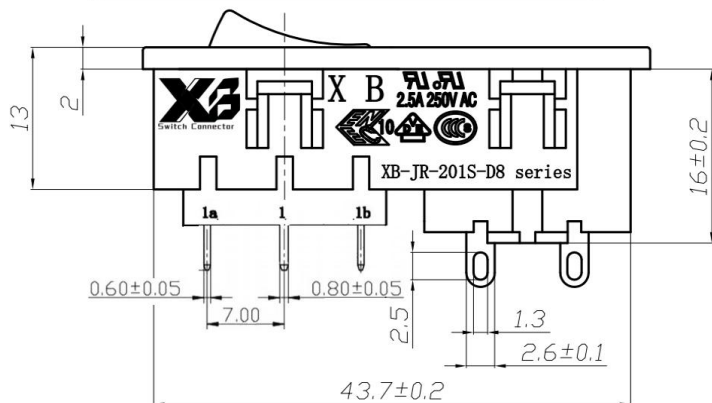
X1=1.0mm
X2=1.5mm
X3=2.0mm
X4=2.5mm



SECTION B~B



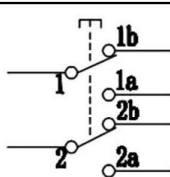
SECTION A~A



X1=1.0mm
X2=1.5mm
X3=2.0mm
X4=2.5mm

PANEL CUT-OUT

SWITCHING CIRCUIT



规格 SPECIFICATION

1. 额定值 RATING: 2.5A 250VAC
2. 绝缘电阻 INSULATION RESISTANCE: $\geq 100\text{M}\Omega$ (DC500V/1MIN)
3. 介电强度 DIELECTRIC STRENGTH: 2000V /0.5mA /1MIN
4. 工作温度 OPERATING TEMPERATURE: -25°C TO +85°C(MAX)
5. 端子浸焊条件 DIP SOLDERING: 265°C, 3S



编号	零件名称	数量	材质说明
1	Body	1	PA
2	Pin	2	Brass Alloy, Ni-Plated
3	Terminal	2	Brass Alloy, Tin-Plated
4	Switches	1	Double Pole

NO.	PARTS	MATERIALS	Q'TY	FINISH	TOLERANCE UNLESS SPECIFIED	DATE	REV	DESCRIPTIONS OF REVISION	APPD.
8					WITHIN 1.5mm : $\pm 0.1\text{mm}$	2012-9-25	A	初版	ZENQ. CHEN
7					OVER 1.5mm : $\pm 0.2\text{mm}$	ISSUE	DATE	DESCRIPTIONS OF REVISION	APPD.
6					TITLE : AC POWER SOKET				
5					MODEL: XB-JR-201S-D8-2T4P-L		SCALE: 5:1	DRWG NO. XB-JR-201S-D8-2T4P-L	
4	CONTACT	SUS	1	Ag CLAD	UNIT : mm		DWN.	JUN. YANG	2012-9-25
3	CASE	PPA/BRASS SRTIP	1	BLACK/Ag PLATED	DONG GUAN XI BANG ELECTRONI CS CO., LTD.		CHK'D	DONG. PANG	2012-9-25
2	COVER	STEEL STRIP	1	Ni PLATED	APPD.		ZENQ. CHEN	2012-9-25	
1	KNOB	PPA	1	BLACK	东莞市溪榜电子有限公司				
					DONG GUAN XI BANG ELECTRONI CS CO., LTD.				