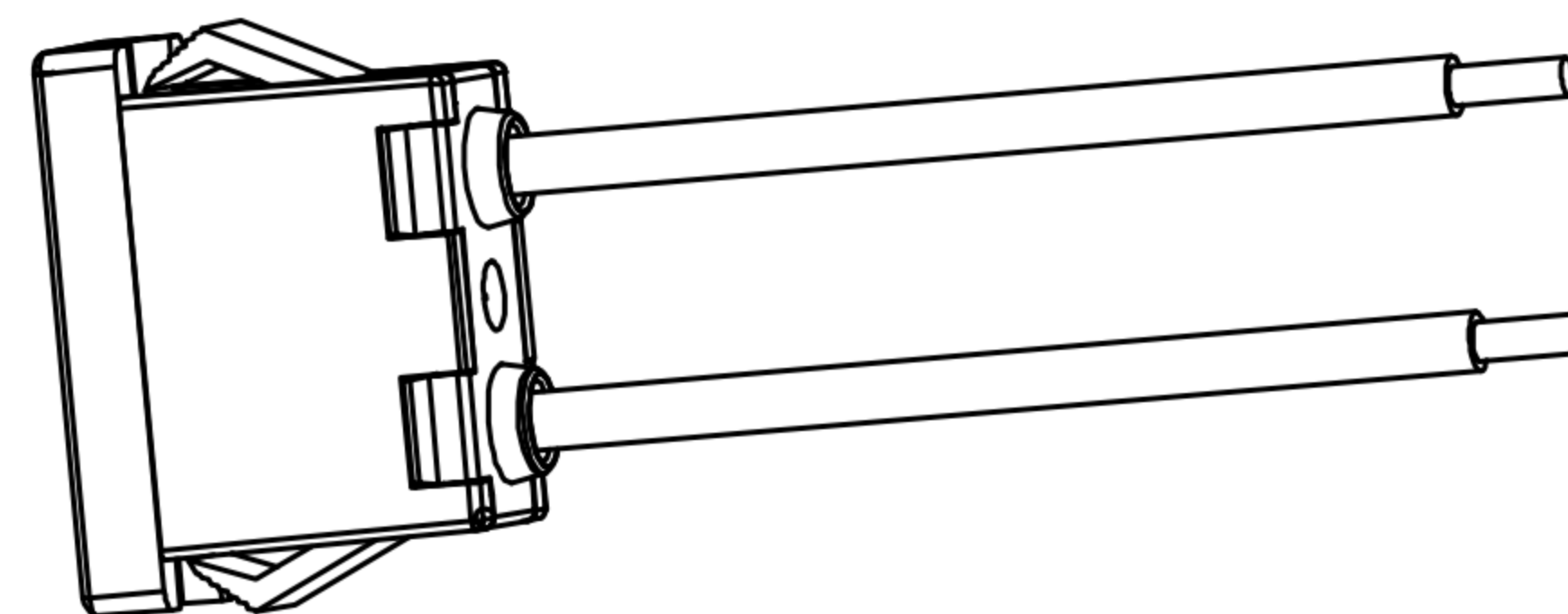
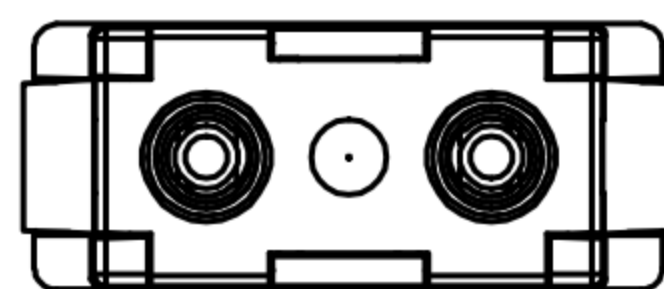
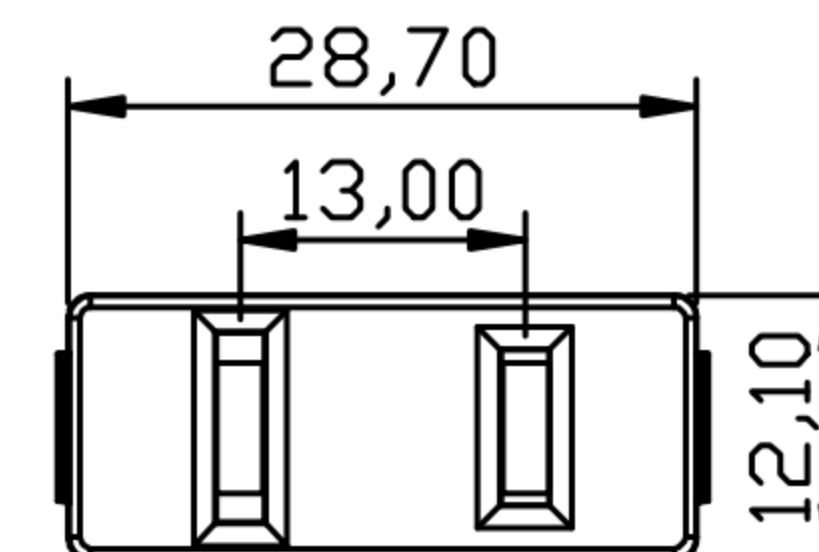
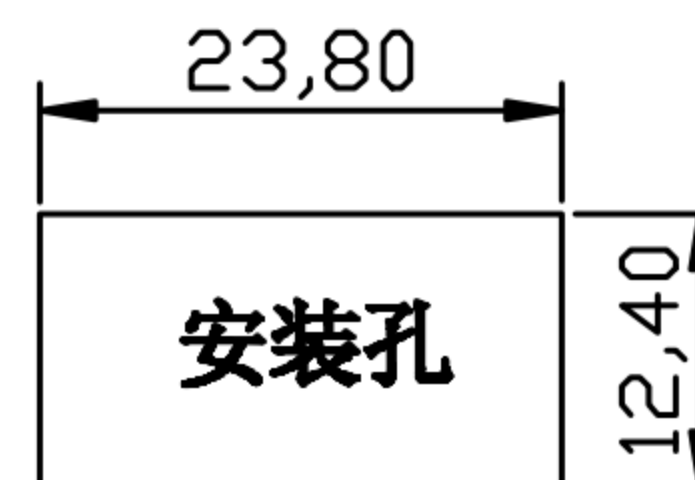
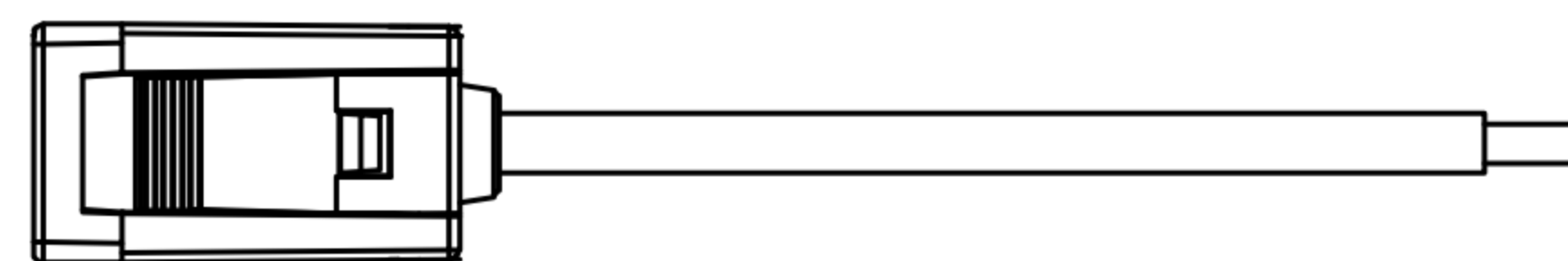
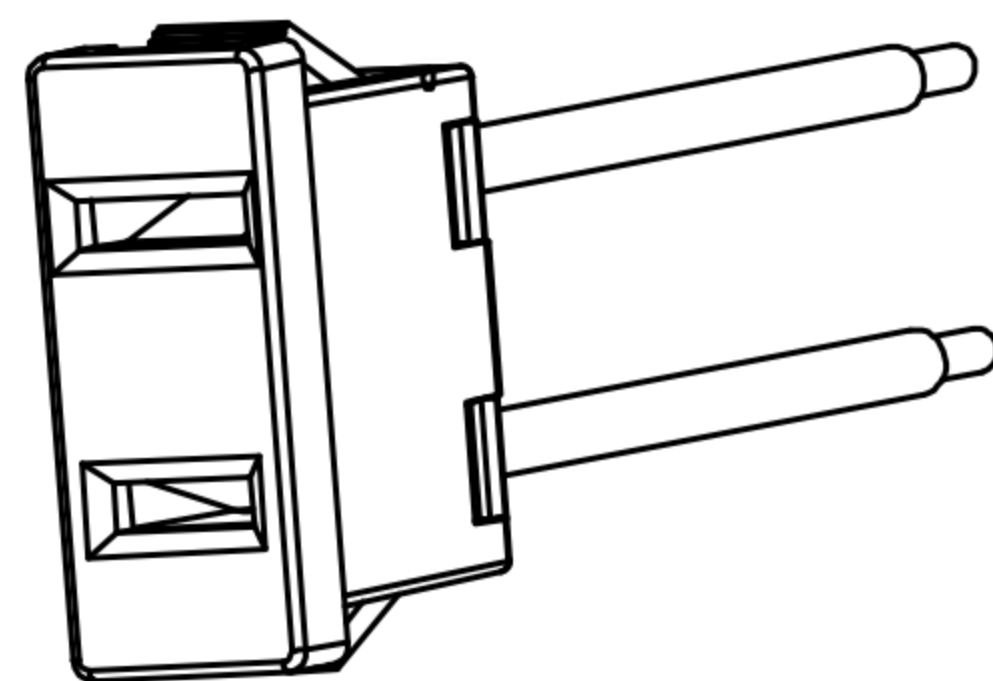
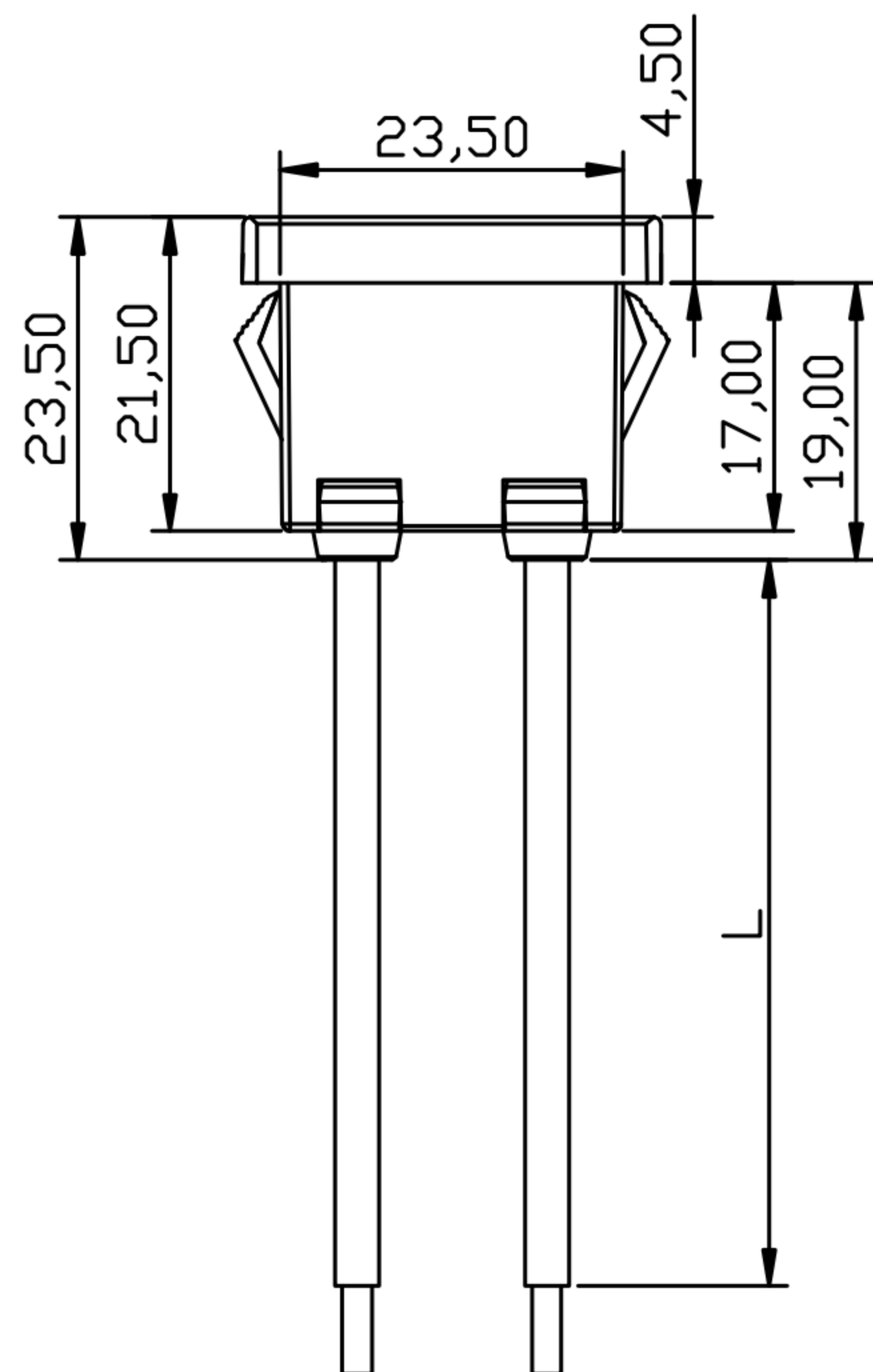



CAD FILE:

**ROHS**



**详细:**

1. 电器参数, 15A-125VAC, 14-16AWG  
10A-125 18AAWG
2. 配电线参数, 1015/18#PVC 电子线, 尾端扭线镀锡5MM。
3. 电线“L”代表长度

|     |         |                 |      |                 |   |       |           |                          |                             |
|-----|---------|-----------------|------|-----------------|---|-------|-----------|--------------------------|-----------------------------|
| 8   |         |                 |      |                 | TOLERANCE   |       |           |                          |                             |
| 7   |         |                 |      |                 | UNLESS SPECIFIED  |       |           |                          |                             |
| 6   |         |                 |      |                 | WITHIN 1.5mm : ±0.1mm   | A     | 2012-9-25 | 初版                       | ZENQ. CHEN                  |
| 5   |         |                 |      |                 | OVER 1.5mm : ±0.2mm   | ISSUE | DATE      | DESCRIPTIONS OF REVISION | APPD.                       |
| 4   | CONTACT | SUS             | 1    | Ag CLAD         | TITLE : <b>AC socket</b>  |       |           | UNIT : mm                | DRWG NO.: <b>XB-AC-SJ02</b> |
| 3   | CASE    | PPA/BRASS SRTIP | 1    | BLACK/Ag PLATED | MODEL:  |       |           | SCALE: 5:1               | DWN. JUN. YANG 2012-9-25    |
| 2   | COVER   | STEEL STRIP     | 1    | Ni PLATED       |  <b>东莞市溪榜电子有限公司</b><br>DONG GUAN XI BANG ELECTRONICS CO., LTD. |       |           | CHK'D                    | DONG. PANG 2012-9-25        |
| 1   | KNOB    | PPA             | 1    | BLACK           |   |       |           | APPD.                    | ZENQ. CHEN 2012-9-25        |
| NO. | PARTS   | MATERIALS       | Q'TY | FINISH          |   |       |           |                          |                             |