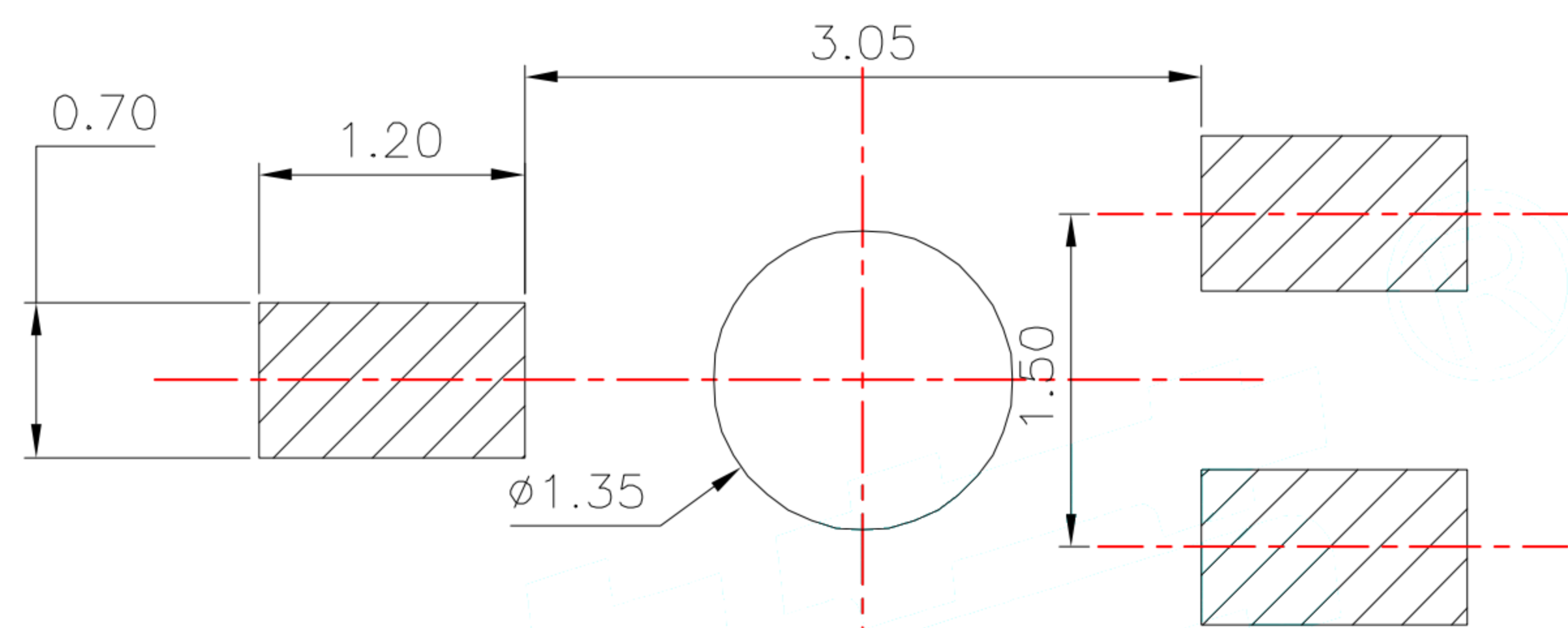
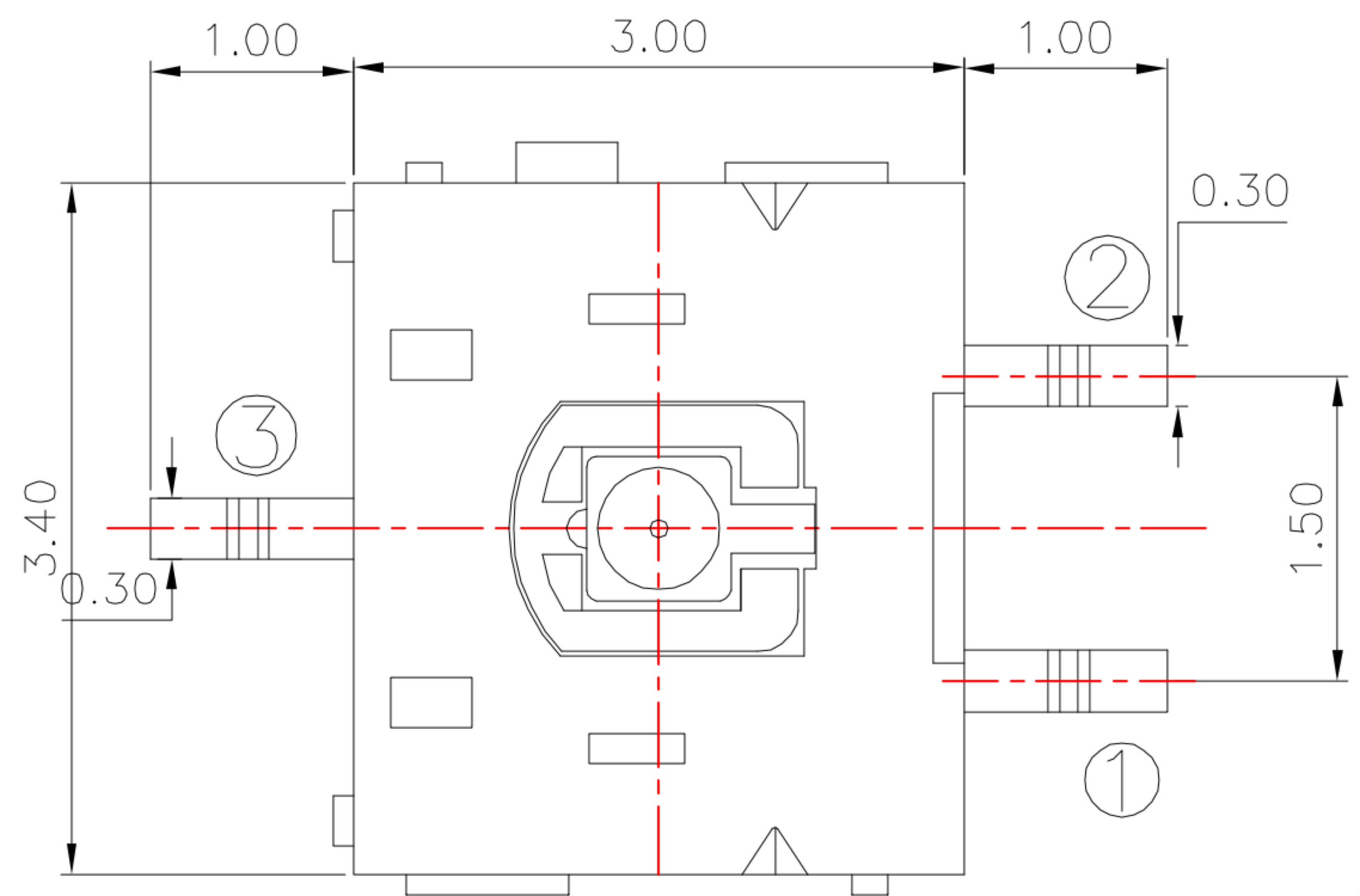
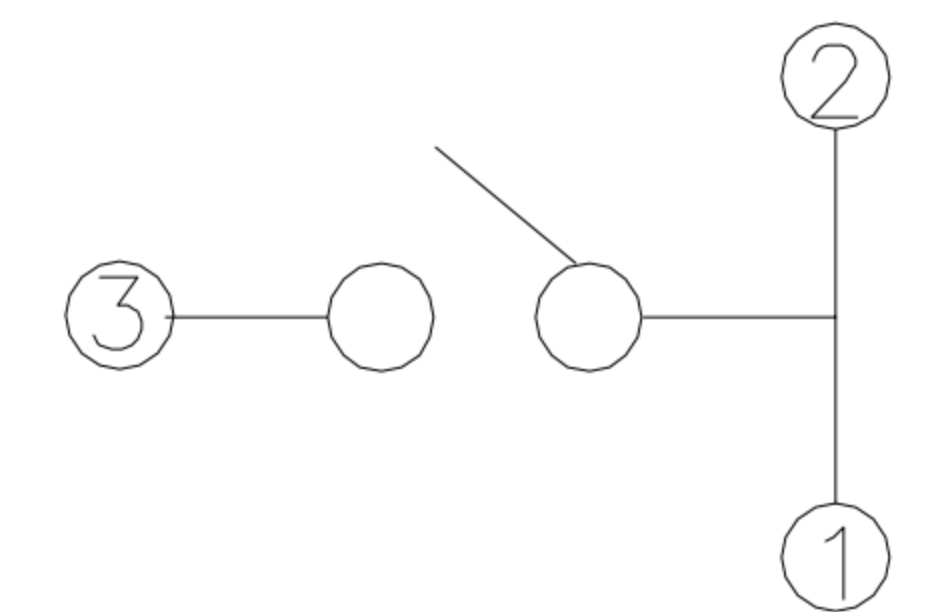
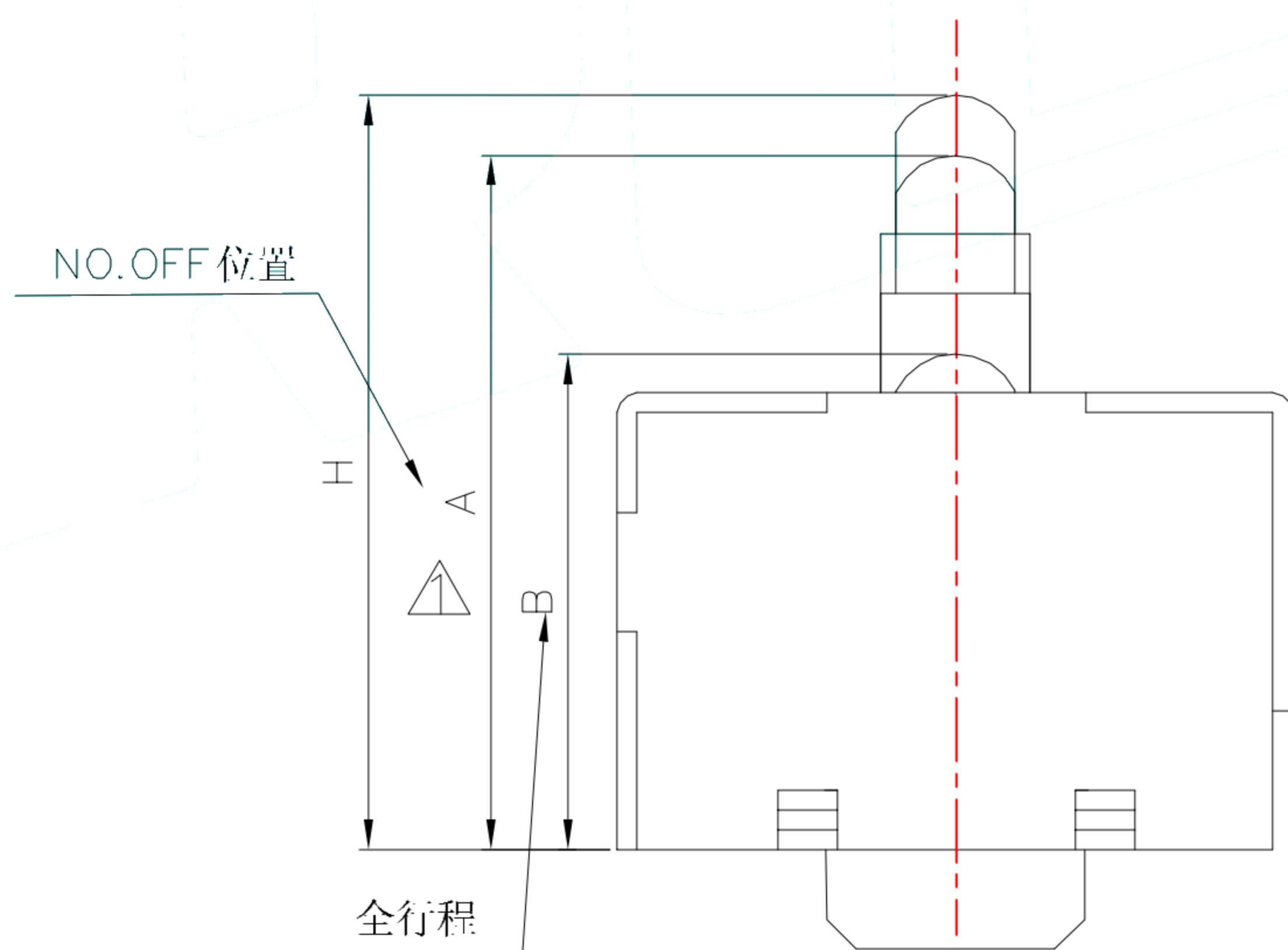
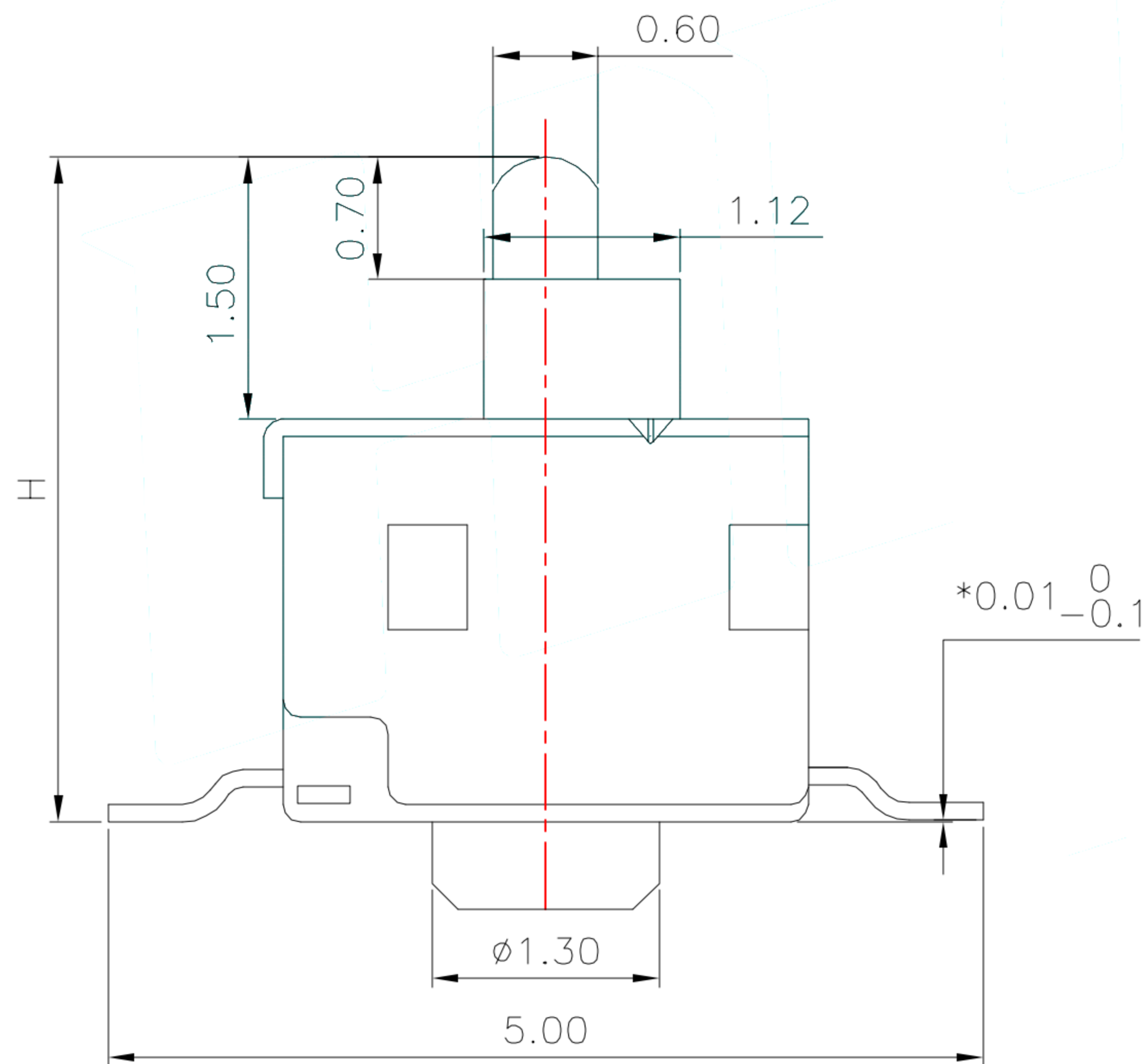


CAD FILE:



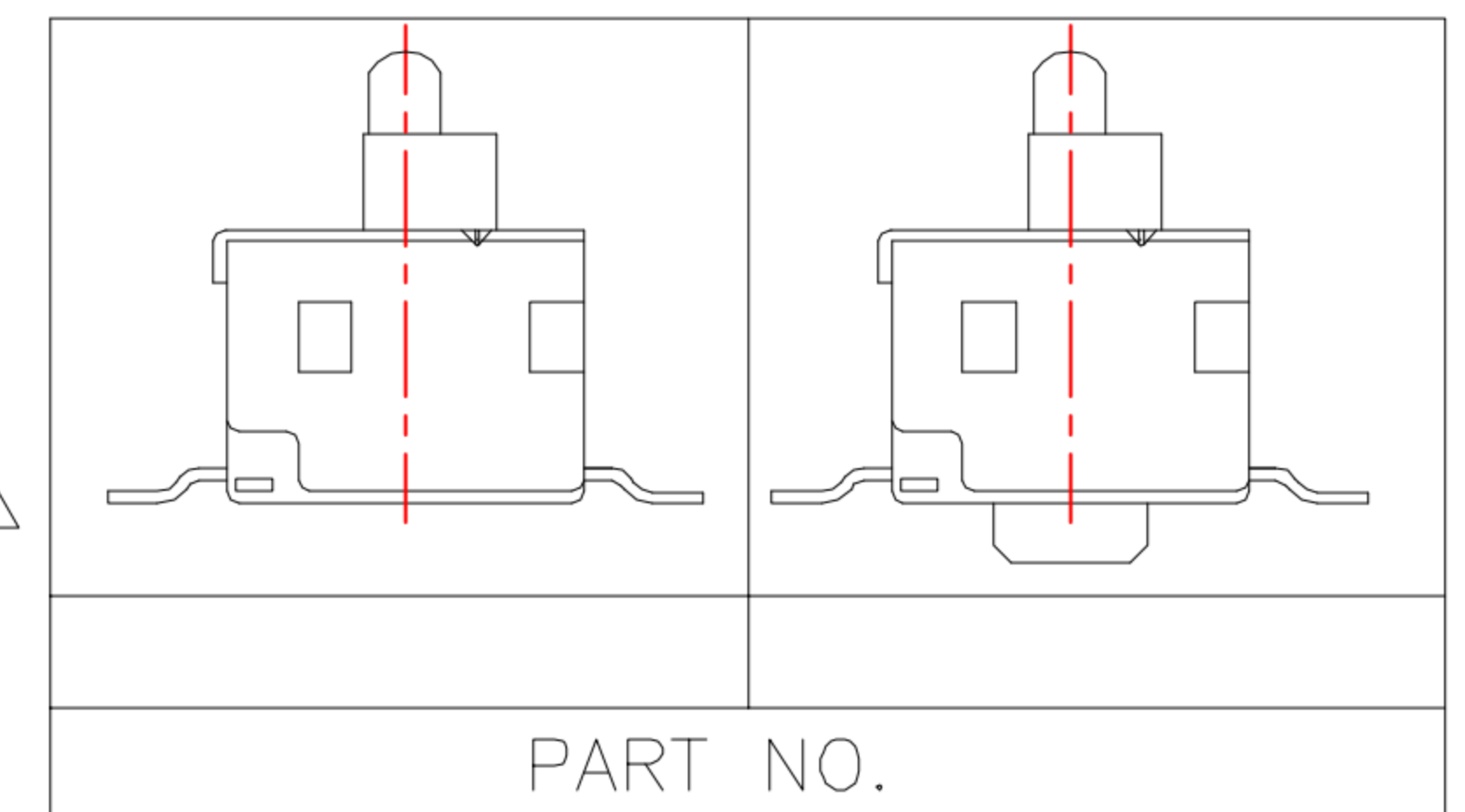
PCB Layout (Pattern side)

| NO. | Slider height(H) | ON start position(A) | Total travel(B) |
|-----|------------------|----------------------|-----------------|
| 01 | 3.8 | 3.5 | 2.5 |
| 02 | 4.1 | 3.8 | 2.9 |
| 03 | 4.8 | 4.5 | 3.6 |
| 04 | 5.2 | 4.9 | 4.0 |
| 05 | 5.5 | 5.2 | 4.3 |



Circuit Diagram

SCHEMATIC



NOTE:
 Rating: DC 30V 0.1A
 Operating Force: 20±10gf
 Lifetime: 50,000 Cycles
 Packaging: 2800pcs/Reel

| NO. | PARTS | MATERIALS | Q'TY | FINISH | TOLERANCE UNLESS SPECIFIED | ISSUE | DATE | DESCRIPTIONS OF REVISION | APPD. |
|-----|---------|-----------------|------|-----------------|---|-------|------------|--------------------------|---------------------|
| 8 | | | | | | | | | |
| 7 | | | | | | | | | |
| 6 | | | | | WITHIN 1.5mm : ±0.1mm | A | 2012-9-25 | 初版 | ZENQ. CHEN |
| 5 | | | | | OVER 1.5mm : ±0.2mm | ISSUE | DATE | DESCRIPTIONS OF REVISION | APPD. |
| 4 | CONTACT | SUS | 1 | Ag CLAD | TITLE : Detector Switches | | UNIT : mm | DRWG NO.: XB-MT-0129 | |
| 3 | CASE | PPA/BRASS SRTIP | 1 | BLACK/Ag PLATED | MODEI: | | SCALE: 5:1 | DWN. | JUN. YANG 2012-9-25 |
| 2 | COVER | STEEL STRIP | 1 | Ni PLATED | 东莞市溪榜电子有限公司 DONG GUAN XI BANG ELECTRONICS CO., LTD. | | CHK'D | DONG. PANG | 2012-9-25 |
| 1 | KNOB | PPA | 1 | BLACK | | | APPD. | ZENQ. CHEN | 2012-9-25 |