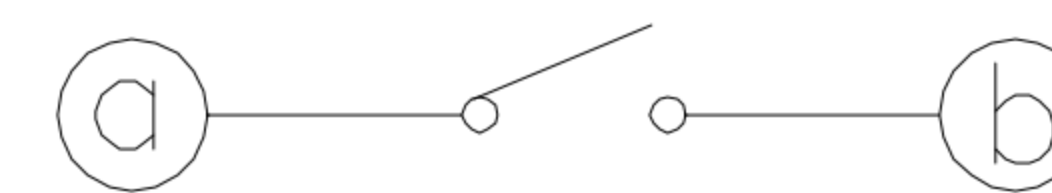
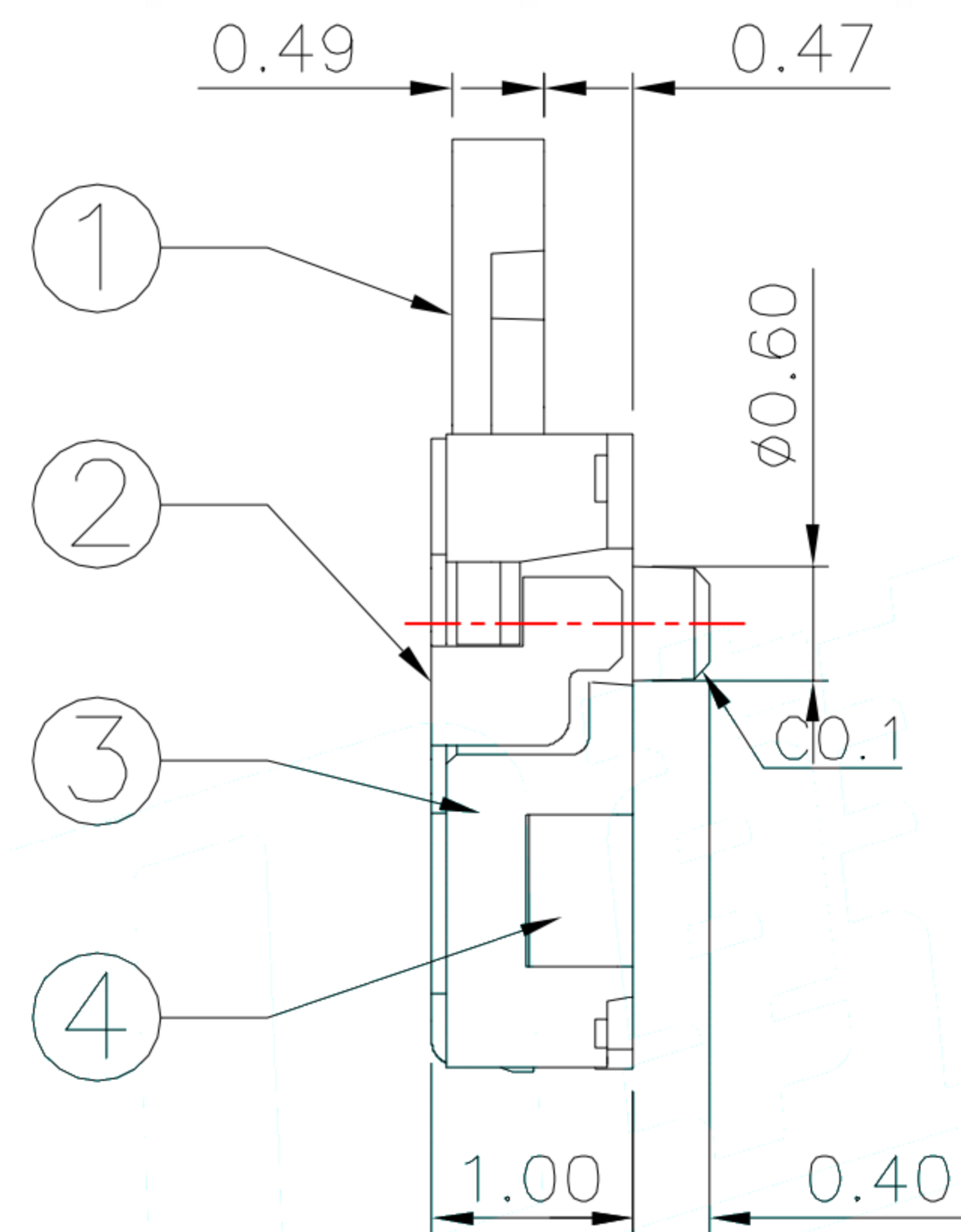
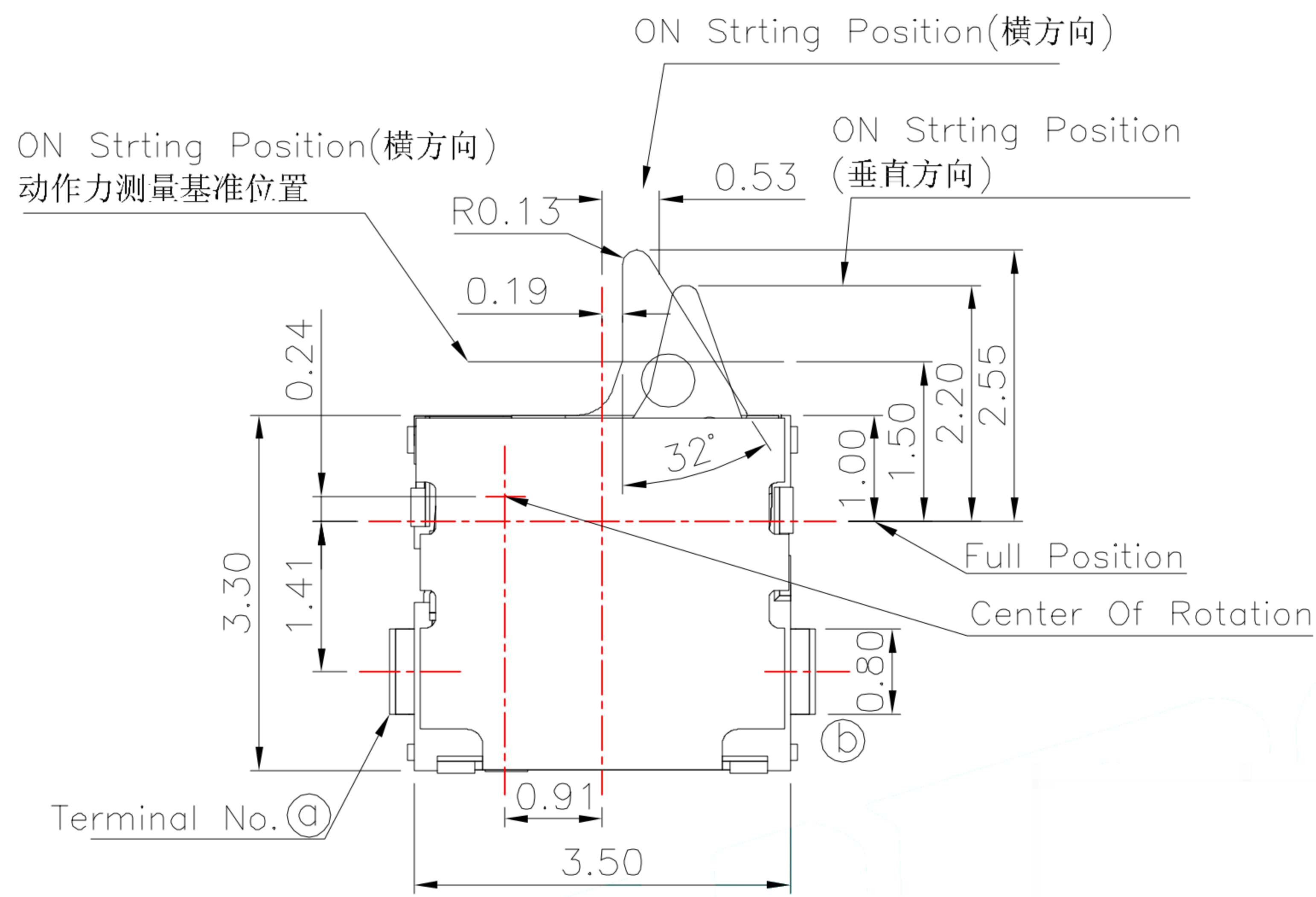
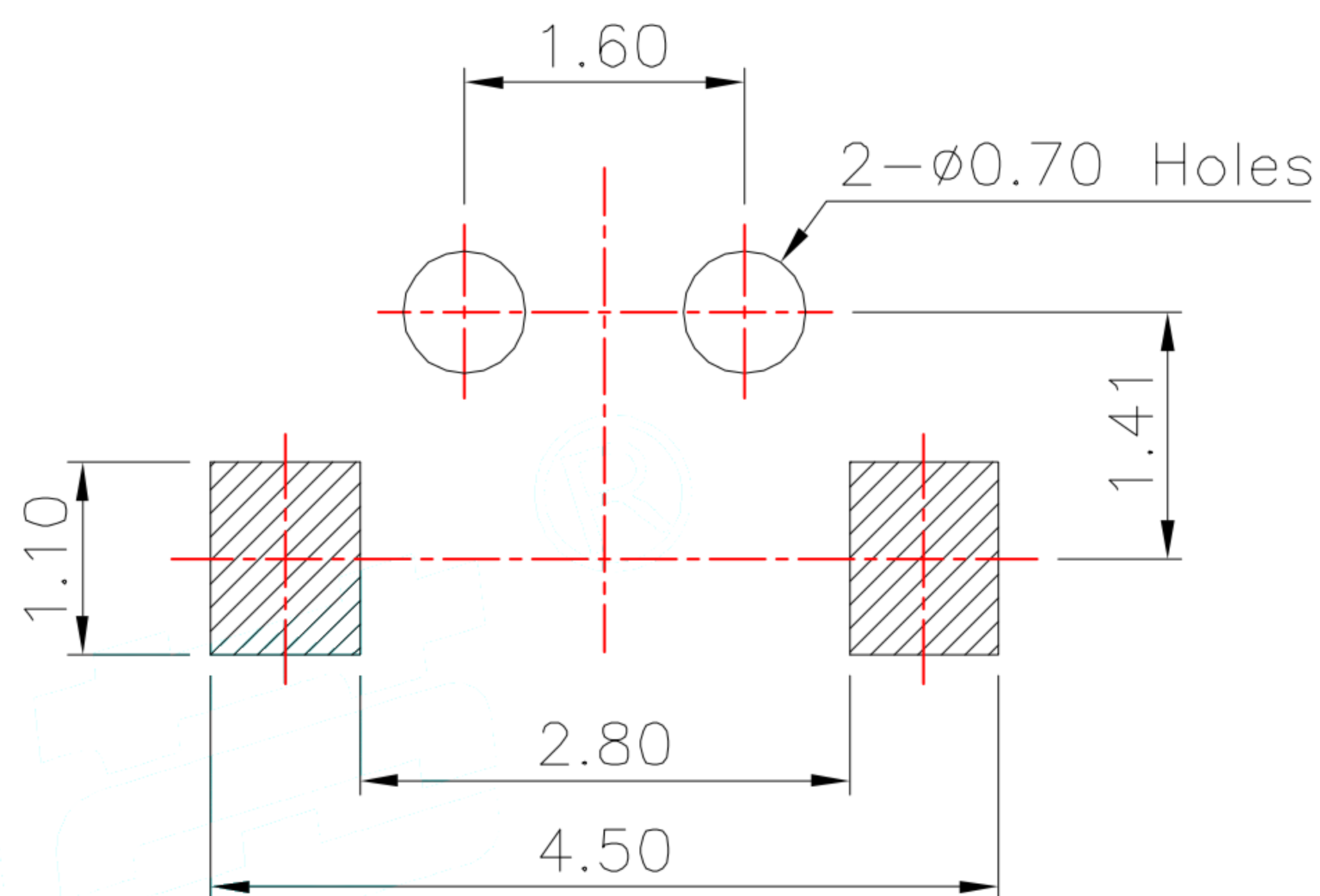
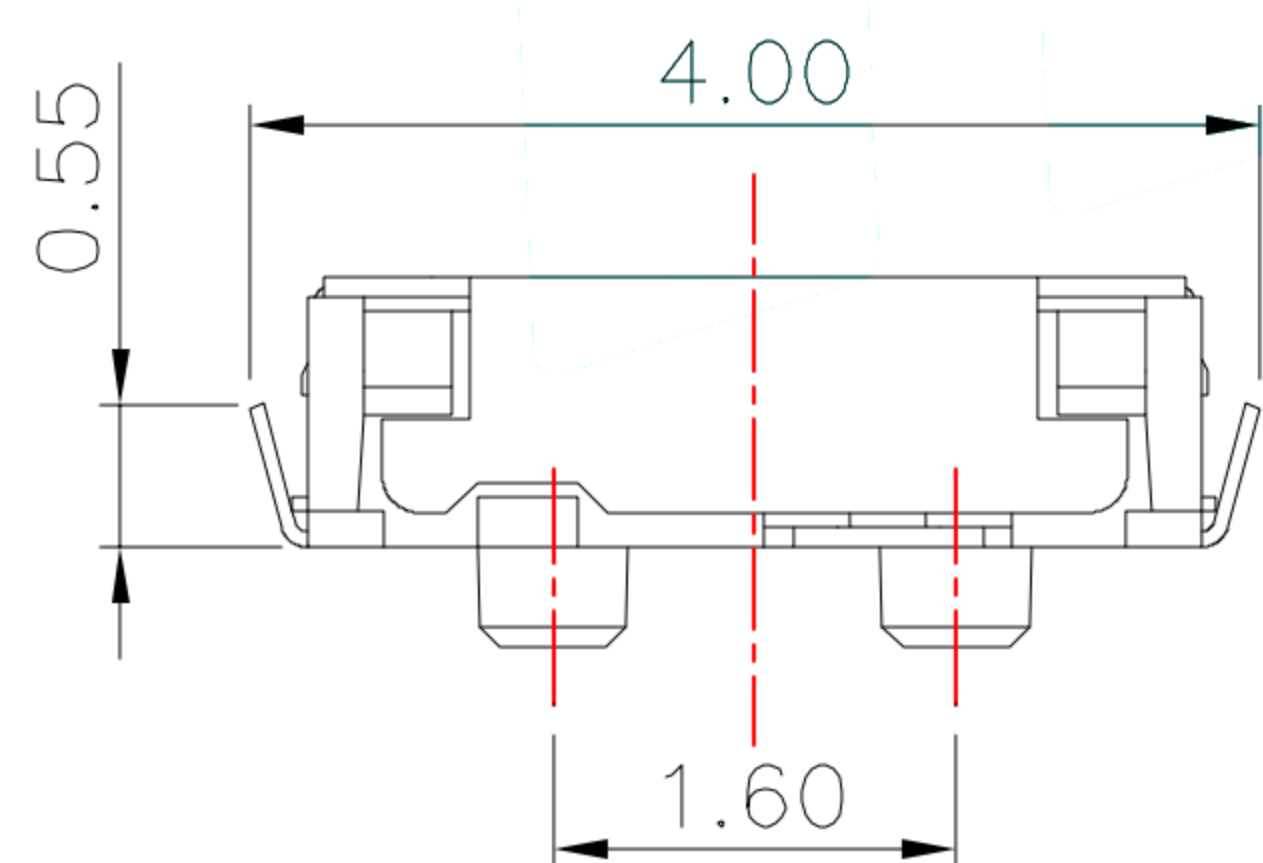


CAD FILE:

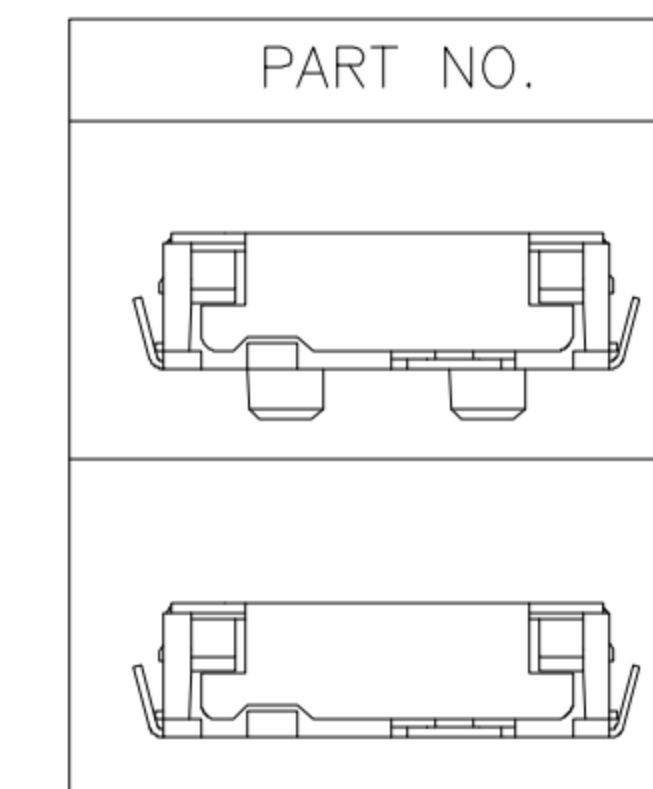


Circuit Diagram


SCHEMATIC



PCB Layout(Pattern side)



NOTE:
Rating: DC 12V 50mA
Operating Force: 20±10gf
Lifetime: 100,000 Cycles

8					TOLERANCE						
7					UNLESS SPECIFIED						
6					WITHIN 1.5mm : ±0.1mm	A	2012-9-25	初版		ZENQ. CHEN	
5					OVER 1.5mm : ±0.2mm	ISSUE	DATE	DESCRIPTIONS OF REVISION		APPD.	
4	CONTACT	SUS	1	Ag CLAD	TITLE : Detector Switches			UNIT : mm	DRWG NO.: XB-MT-0125U		
3	CASE	PPA/BRASS SRTIP	1	BLACK/Ag PLATED	MODEI:			SCALE: 5:1	DWN.	JUN. YANG	2012-9-25
2	COVER	STEEL STRIP	1	Ni PLATED	 东莞市溪榜电子有限公司 DONG GUAN XI BANG ELECTRONI CS CO., LTD.			CHK'D	DONG. PANG	2012-9-25	
1	NOB	PPA	1	BLACK				APPD.	ZENQ. CHEN	2012-9-25	
NO.	PARTS	MATERIALS	Q'TY	FINISH							